

3. Clean the flange surface of the outer joint of the driveshaft and apply a moderate coat of Molykote M77 grease (see Figure 2a and 2b).

- Molykote M77 grease is listed in the Parts Information.

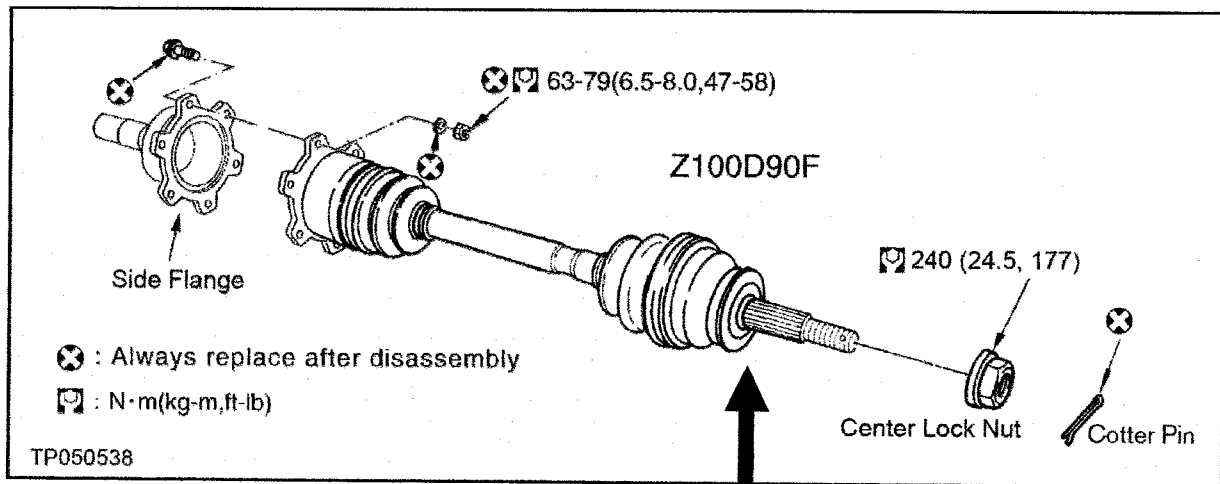


Figure 2a