

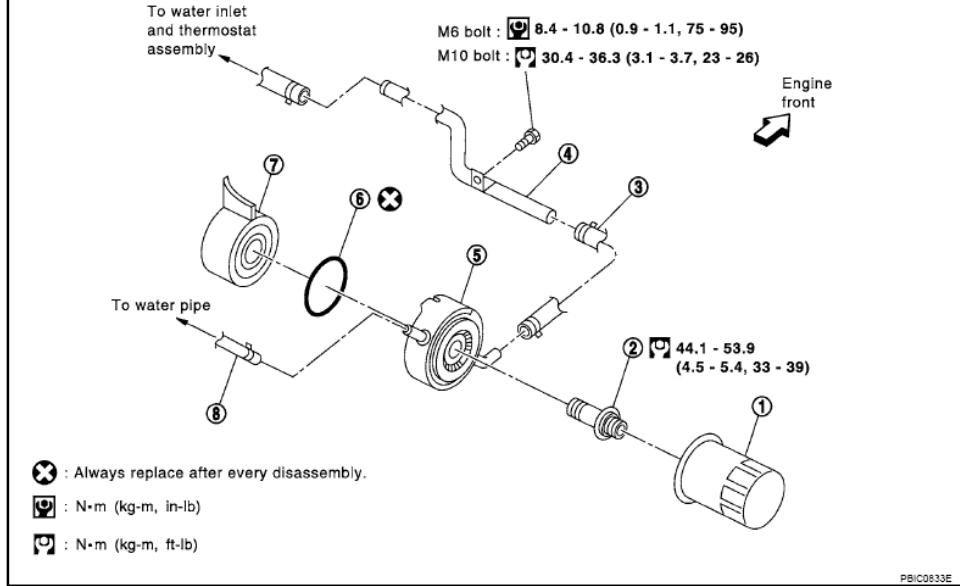
OIL COOLER

Removal and Installation

PFP:21305

ABS00019

SEC. 150•211•213



- 1. Oil filter
- 2. Connector bolt
- 3. Water hose
- 4. Water pipe
- 5. Oil cooler
- 6. O-ring
- 7. Oil cap (upper right side)
- 8. Water pipe