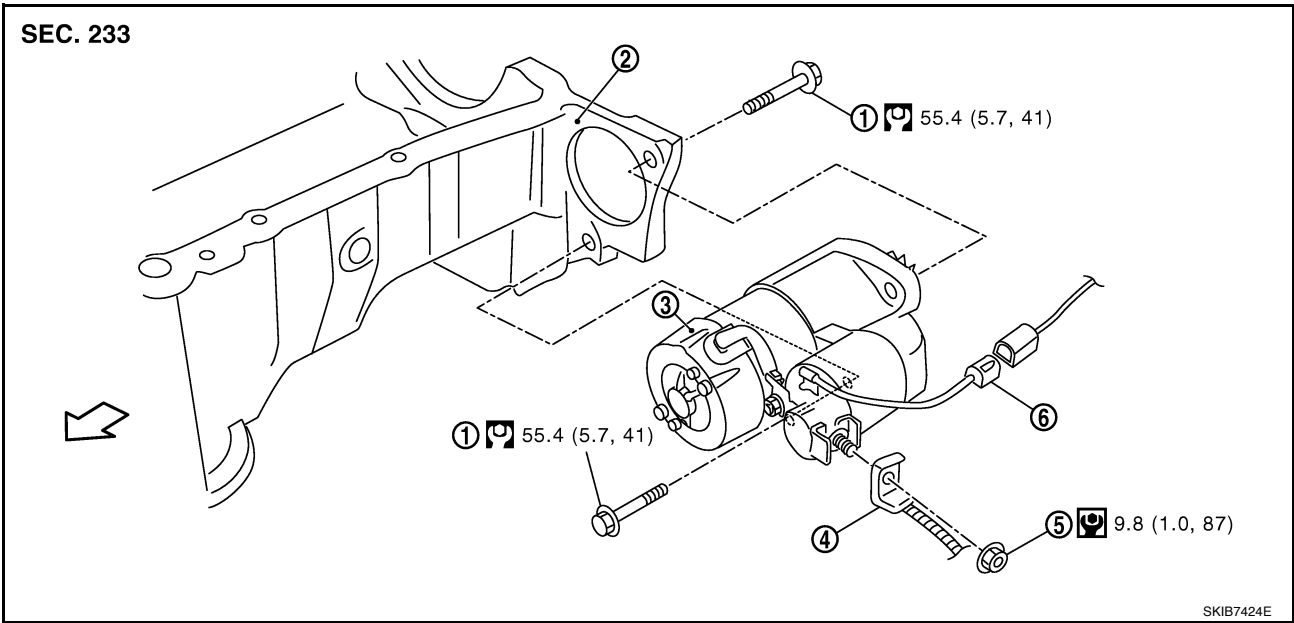


STARTING SYSTEM

AWD MODELS


SEC. 233





- 1. Starter motor mounting bolt
- 4. B terminal harness

- 2. Oil pan
- 5. B terminal nut

- 3. Starter motor
- 6. S connector

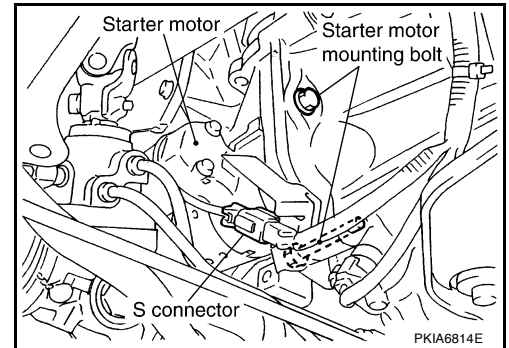
 : N·m (kg-m, ft-lb)

 : N·m (kg-m, in-lb)

 : Engine front

Removal

1. Disconnect the battery cable from the negative terminal.
2. Remove engine front and rear undercover, using power tools.
3. Disconnect “S” connector.
4. Remove “B” terminal nut.
5. Remove starter motor mounting bolts and harness connector clip bracket, using power tools.
6. Remove starter motor downward.



Installation

Installation is the reverse order of removal.

CAUTION:

Be sure to tighten “B” terminal nut carefully.