

CYLINDER BLOCK

PF11010

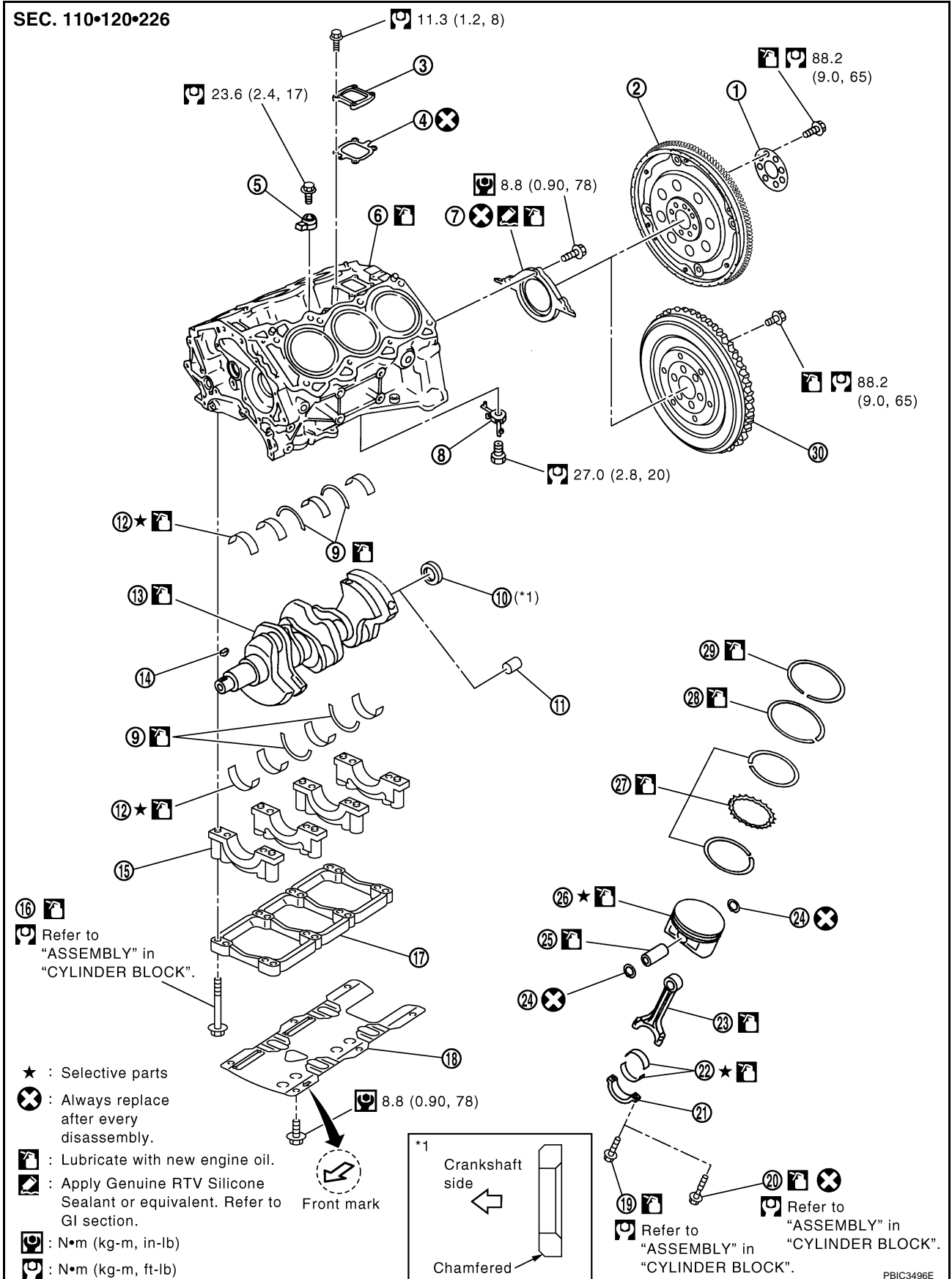
NBS002V5

A
C
D
E
F
G
H
I
J
K
L
M

EM

CYLINDER BLOCK

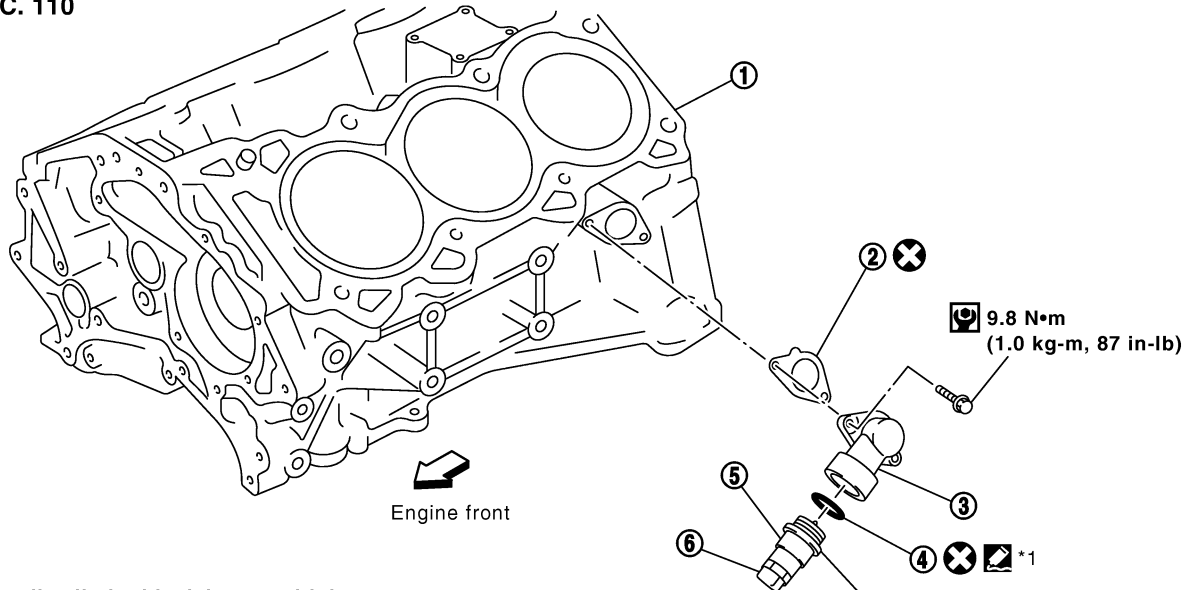
Components



CYLINDER BLOCK

- | | | |
|--------------------------------------|--------------------------------------|--------------------------------|
| 1. Reinforcement plate | 2. Drive plate (A/T models) | 3. Cover |
| 4. Gasket | 5. Knock sensor | 6. Cylinder block |
| 7. Rear oil seal retainer | 8. Oil jet | 9. Thrust bearing |
| 10. Pilot converter (A/T models) | 11. Pilot bushing (M/T models) | 12. Main bearing |
| 13. Crankshaft | 14. Crankshaft key | 15. Main bearing cap |
| 16. Main bearing cap bolt | 17. Main bearing beam | 18. Baffle plate |
| 19. Connecting rod bolt (A/T models) | 20. Connecting rod bolt (M/T models) | 21. Connecting rod bearing cap |
| 22. Connecting rod bearing | 23. Connecting rod | 24. Snap ring |
| 25. Piston pin | 26. Piston | 27. Oil ring |
| 28. Second ring | 29. Top ring | 30. Flywheel (M/T models) |

**For Canada
SEC. 110**



- Install cylinder block heater with heater part downward as shown in the figure.
- Remove liquid gasket completely after removing cylinder block heater.

: Apply Anaerobic Liquid Gasket or equivalent. Refer to GI section.

*1 Sealing point: Front and reverse side.

: Always replace after every disassembly.

PBIC2614E

- | | | |
|-------------------|--------------------------|----------------------------|
| 1. Cylinder block | 2. Gasket | 3. Water connector |
| 4. Gasket | 5. Cylinder block heater | 6. Connector protector cap |

Disassembly and Assembly DISASSEMBLY

NBS002V6

1. Remove engine assembly from vehicle, and separate suspension member and transmission from engine. Refer to [EM-131, "ENGINE ASSEMBLY"](#).
2. Remove engine mounting brackets. Refer to [EM-131, "ENGINE ASSEMBLY"](#).
3. Remove exhaust manifold (right bank). Refer to [EM-25, "EXHAUST MANIFOLD AND THREE WAY CATALYST"](#).