

IDENTIFICATION INFORMATION

IDENTIFICATION INFORMATION

PF0:00010

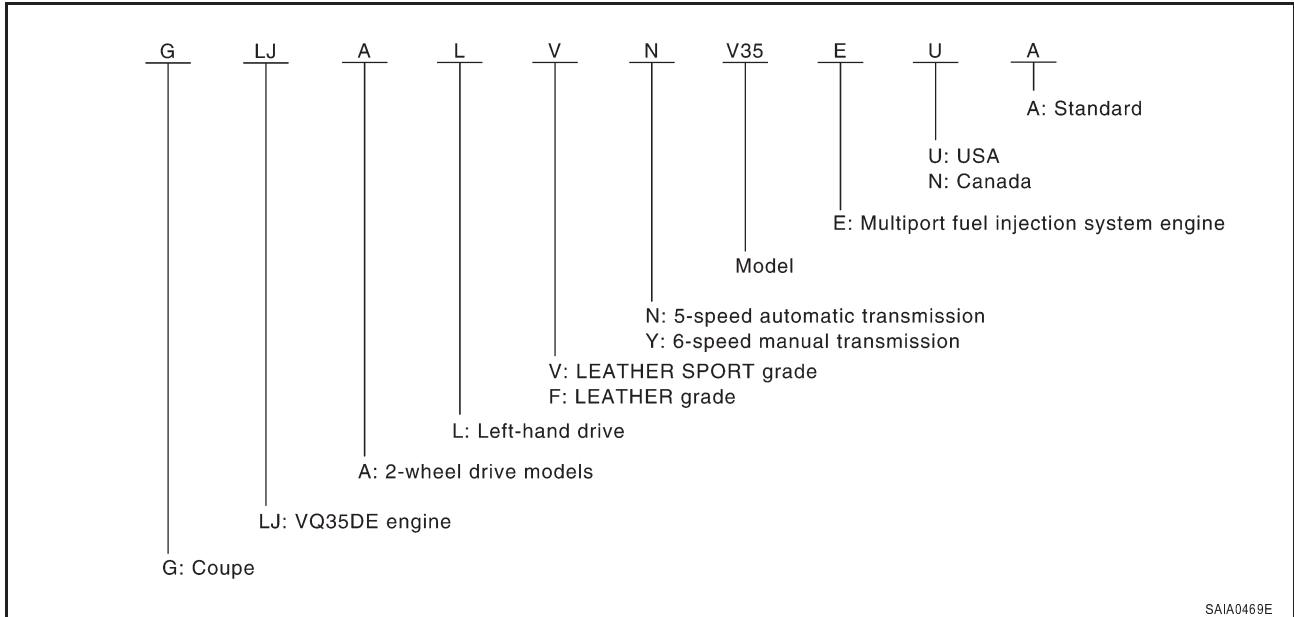
GI

Model Variation

AAS0009S

| Body | Engine | Transmission | Model | Destination | |
|-------|--------|----------------|-----------------|-------------|--------|
| Coupe | VQ35DE | RE5R05A (5A/T) | GLJALVN V35 EUA | USA | |
| | | | GLJALFN V35 EUA | | |
| | | FS6R31A (6M/T) | GLJALVY V35 EUA | | Canada |
| | | | RE5R05A (5A/T) | | |
| | | FS6R31A (6M/T) | GLJALFN V35 ENA | | |
| | | | GLJALVY V35 ENA | | |

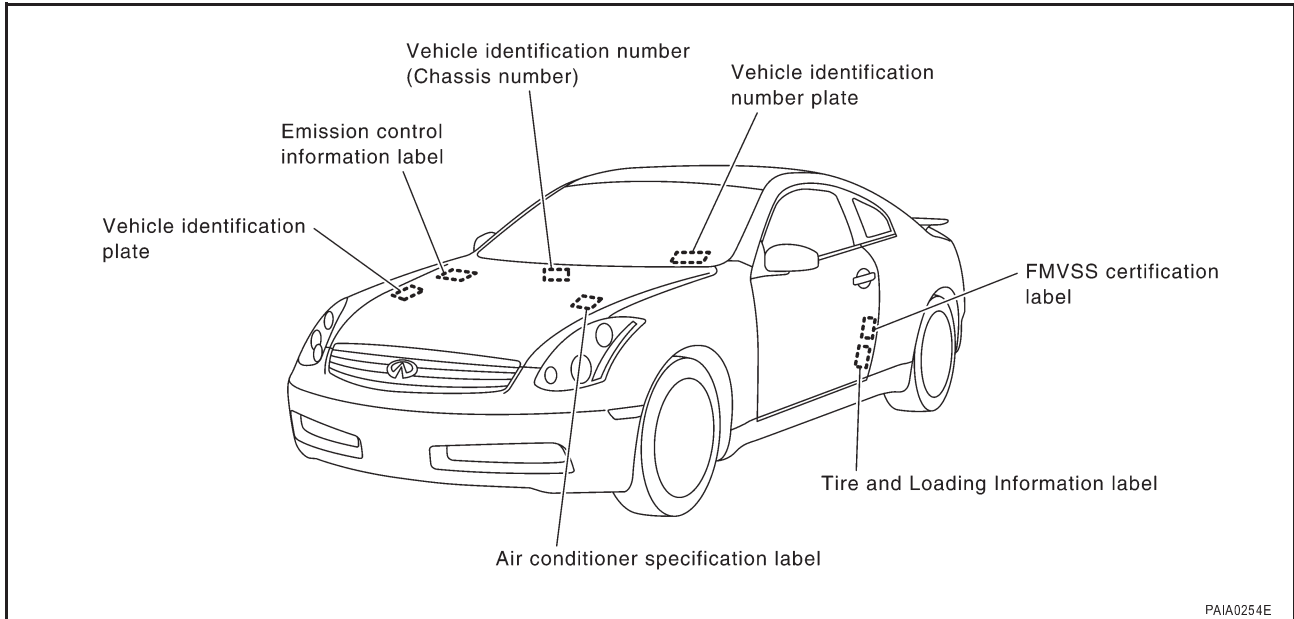
Prefix and suffix designations:



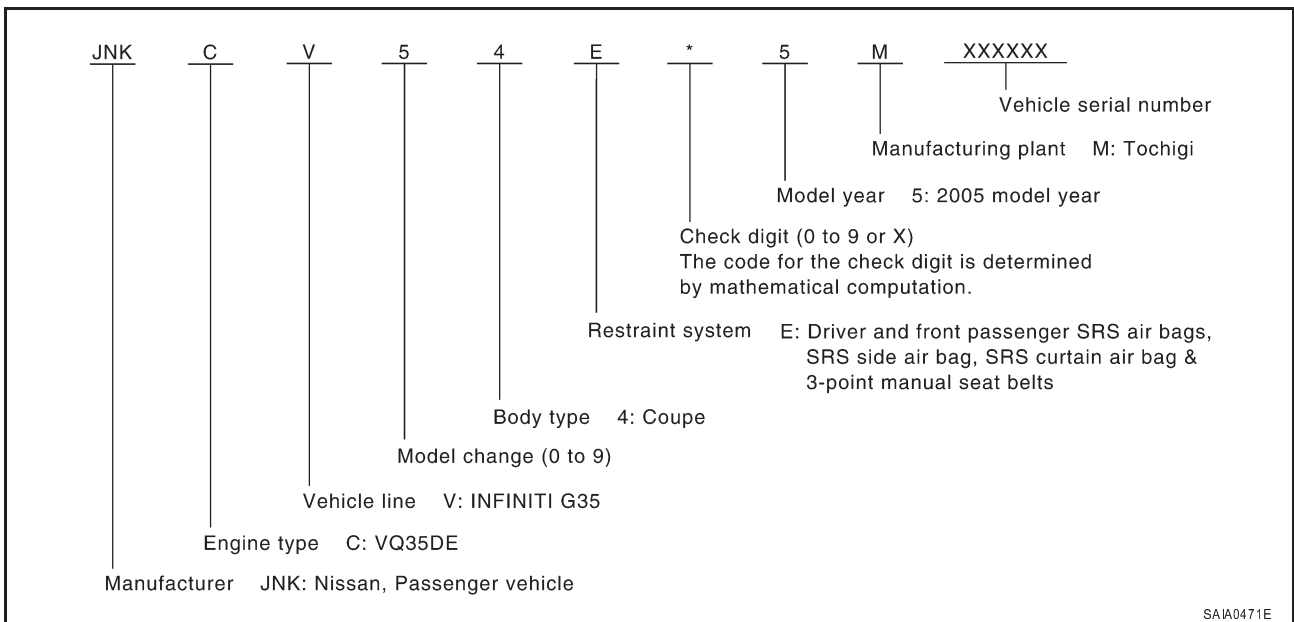
B
C
D
E
F
G
H
I
J
K
L
M

IDENTIFICATION INFORMATION

IDENTIFICATION NUMBER



Vehicle Identification Number Arrangement



IDENTIFICATION PLATE

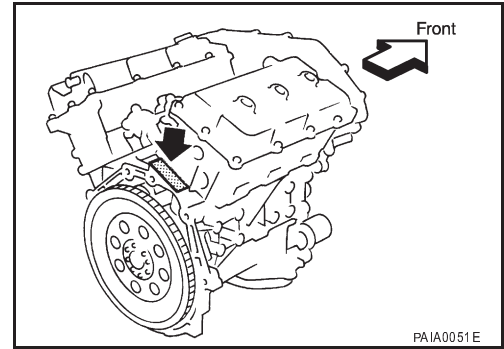
| | | |
|------------------------------|------|---------------|
| NISSAN MOTOR CO., LTD. JAPAN | | |
| 型式 | TYPE | △ |
| | TIPO | |
| CHASSIS NO. | | △ |
| NO. DE CHASIS | | |
| MODEL | | △ |
| MODELO | | |
| ○ カラー-COLOR TRIM | | △ △ |
| トリム-COLOR GUARNICION | | |
| エン ENGINE | | △ △ |
| ジン MOTOR | | |
| ミッション TRANS. AXLE | | △ △ |
| アクスル TRANS. EJE | | |
| | 工場 | PLANT |
| | | PLANTA |
| 日産自動車株式会社 | | MADE IN JAPAN |

- 1 Type
- 2 Vehicle identification number (Chassis number)
- 3 Model
- 4 Body color code
- 5 Trim color code
- 6 Engine model
- 7 Engine displacement
- 8 Transmission model
- 9 Axle model

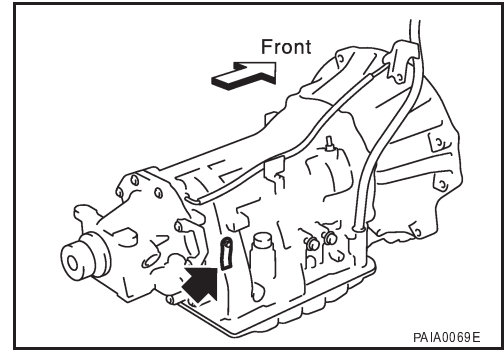
SGI315

IDENTIFICATION INFORMATION

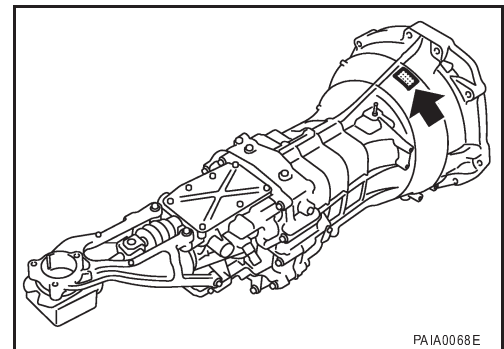
ENGINE SERIAL NUMBER



AUTOMATIC TRANSMISSION NUMBER



MANUAL TRANSMISSION NUMBER



Dimensions

Unit: mm (in)

| | |
|----------------|--------------------------------|
| Overall length | 4,628 (182.2) |
| Overall width | 1,815 (71.5) |
| Overall height | 1,393(54.8), 1,399 (55.1)*1 |
| Front tread | 1,535 (60.4) |
| Rear tread | 1,540 (60.6)*2, 1,545 (60.8)*3 |
| Wheelbase | 2,850 (112.2) |

*1: For 19 inch road wheel models.

*2: For models with road wheel size – 17 × 8 JJ and 19 × 8-1/2JJ [offset 1.30 in (33 mm)]

*3: For models with road wheel size – 18 × 8 JJ [offset 1.18 in (30 mm)]