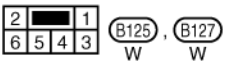
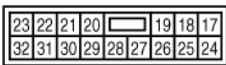
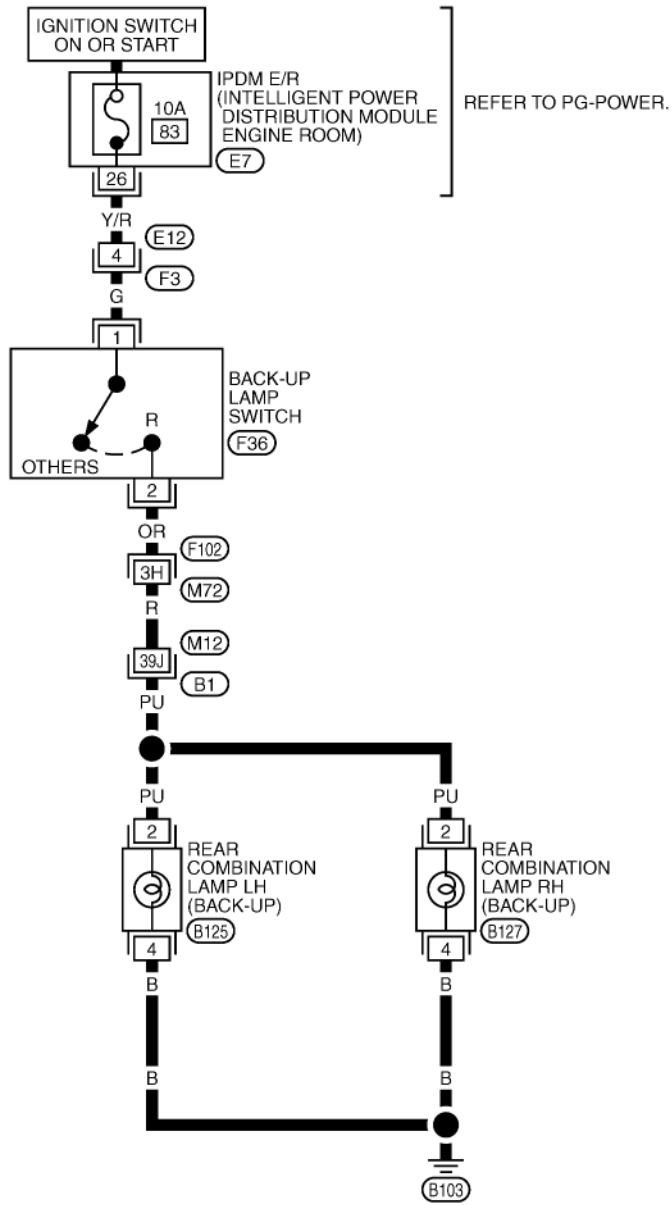


BACK-UP LAMP

M/T MODELS

LT-BACK/L-02



REFER TO THE FOLLOWING.
 F102, B1 -SUPER MULTIPLE JUNCTION (SMJ)

TKWM3458E