

Disassembly and Assembly

AI50051C

DISASSEMBLY

1. Place the mirror body with mirror glass facing upward.
2. Put a strip of protective tape on mirror body.
3. As shown in the figure insert a small slotted screwdriver into the recess between mirror base (mirror holder) and mirror holder bracket and push up pawls to remove mirror holder lower half side.

NOTE:

When pushing up pawls, do not attempt to use 1 recess only, be sure to push up with both recesses.

Insert screwdriver into recesses, and push up while rotating (twist) to make work easier.

4. Remove terminals of mirror heater attachment.
5. Lightly lift up lower side of mirror surface, and detach pawls of upper side as if pulling it out. Remove mirror surface from mirror body.

NOTE:

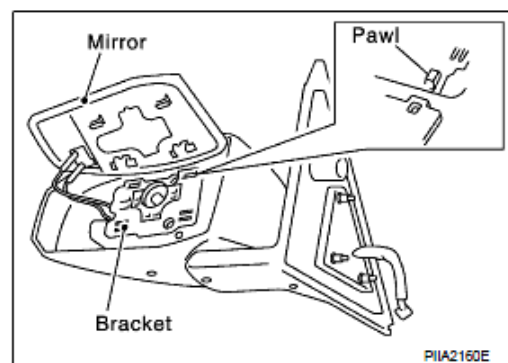
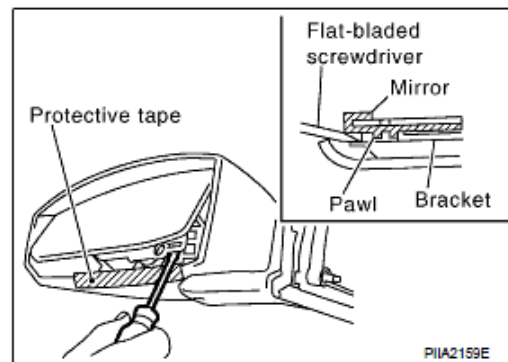
Be certain not to allow grease on sealing agent in center of mirror body assembly (actuator) or back side of mirror surface (mirror holder).

ASSEMBLY

1. Place mirror holder bracket and mirror body assembly (actuator) in a horizontal position.
2. Connect terminals of heater installed mirror.
3. Fit the upper pawls on the mirror face onto the mirror holder bracket first, then press the lower side of mirror face until a click sound is heard to engage the lower pawls.

NOTE:

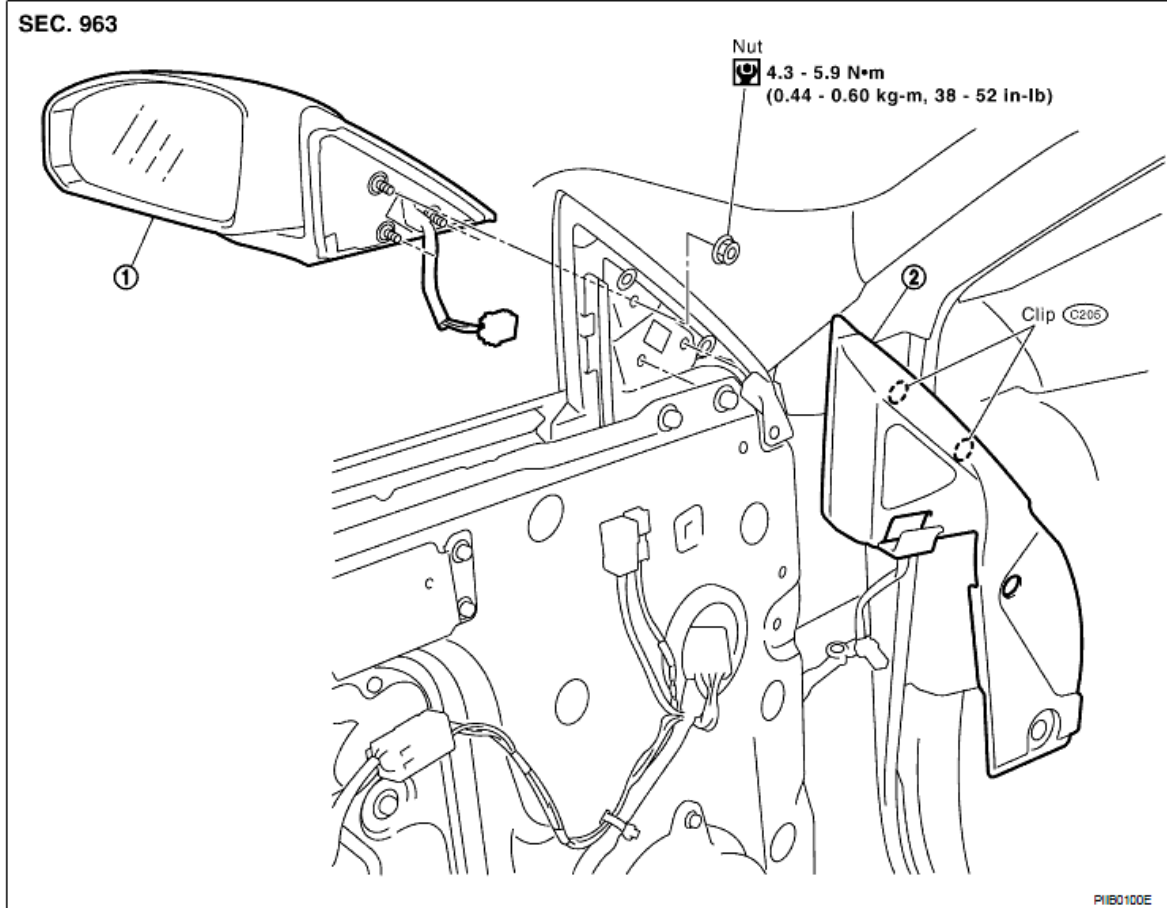
After installation, visually check that lower pawls are securely engaged from the bottom of mirror face.



Removal and Installation

AIS0051B

SEC. 963



PIB0100E

1. Door mirror assembly

2. Front door sash cover