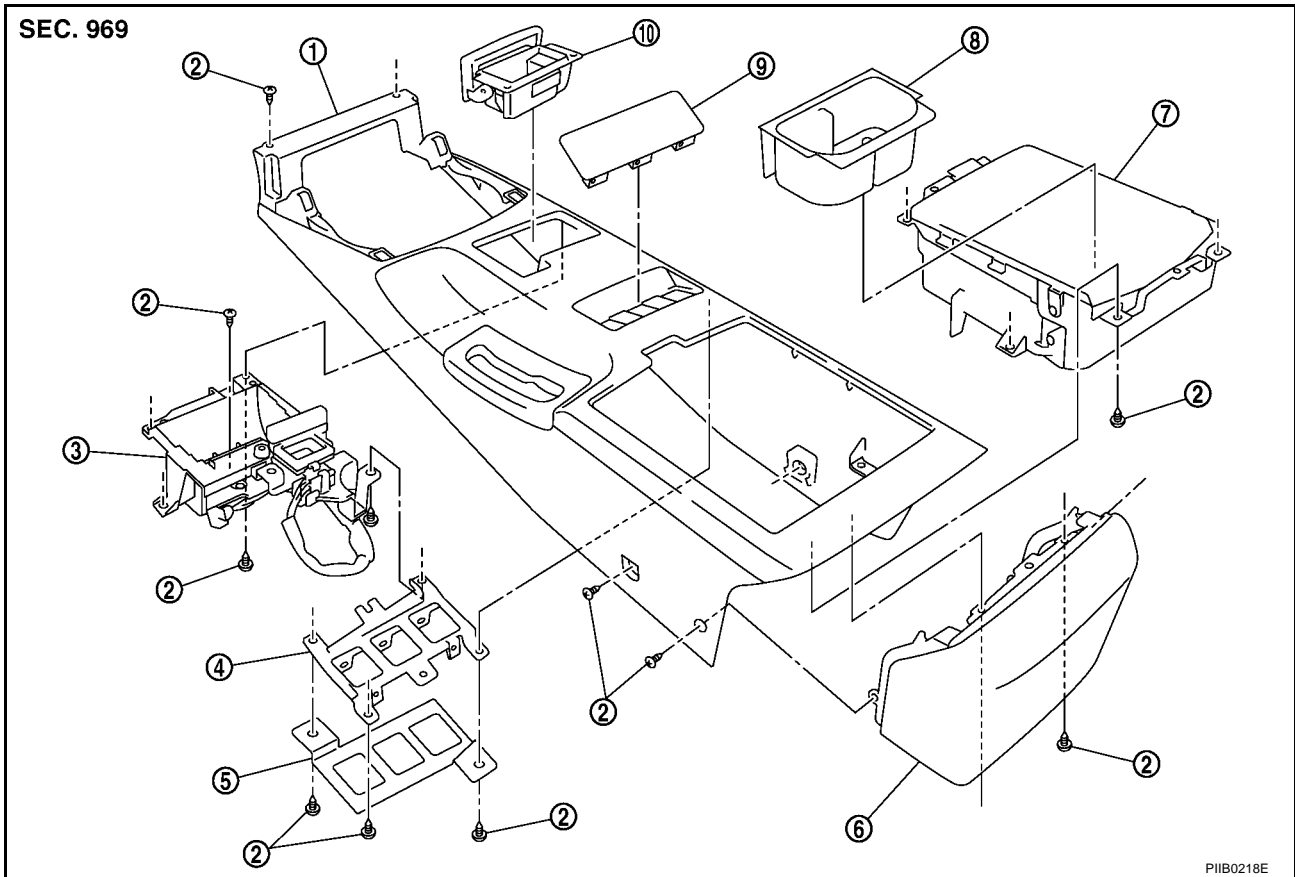


INSTRUMENT PANEL ASSEMBLY

CENTER CONSOLE (M/T MODELS)



PIIB0218E

- | | | |
|------------------------|-----------------|--|
| 1. Center console | 2. Screw | 3. Ashtray bracket |
| 4. Switch bracket | 5. Bracket | 6. Rear finisher |
| 7. Console rear pocket | 8. Console tray | 9. Console cover mask / Seat heater switch |
| 10. Ashtray | | |

Disassembly

1. Remove ashtray.
2. Remove screws of back side, and then remove ashtray bracket.
3. Remove screws of back side, and then remove console rear pocket.
4. Remove console cover mask / seat heater switch.

Assembly

Assemble in the reverse order of disassembly.