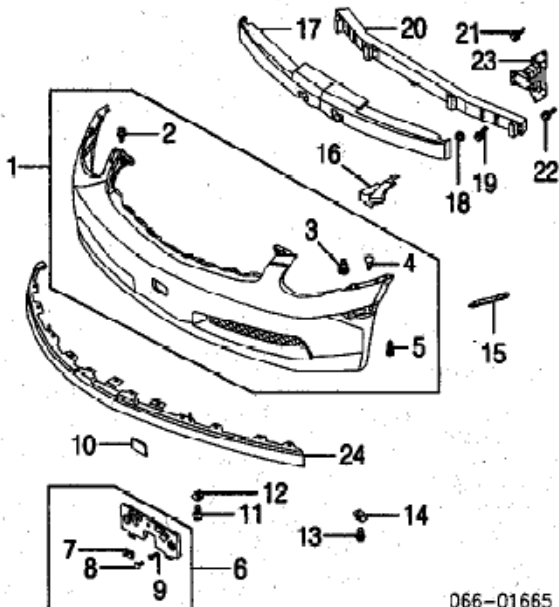


# FRONT BUMPER

Use Procedure Explanations 1 and 28 with the following text.

Refinish Front Cover Assy.....	2.2
R&I Bumper Assy.....	#1.5
O/H Bumper Assy (Includes R&I) .....	#2.4
<b>#Includes R&amp;I Grille &amp; R&amp;I/R&amp;R Side Marker Lamps</b>	



066-01665

1 Cover Assy, Front (P)	62022-AM825	#2.0	284.40
<i>(P) Paint to Match</i>			
<b>#Includes R&amp;I Grille &amp; R&amp;I/R&amp;R Side Marker Lamps</b>			
2 Clip, Upper¶ (3/Side)	R/L 01553-09321		.74
3 Grommet, Screw¶	R/L 01281-01081		.81