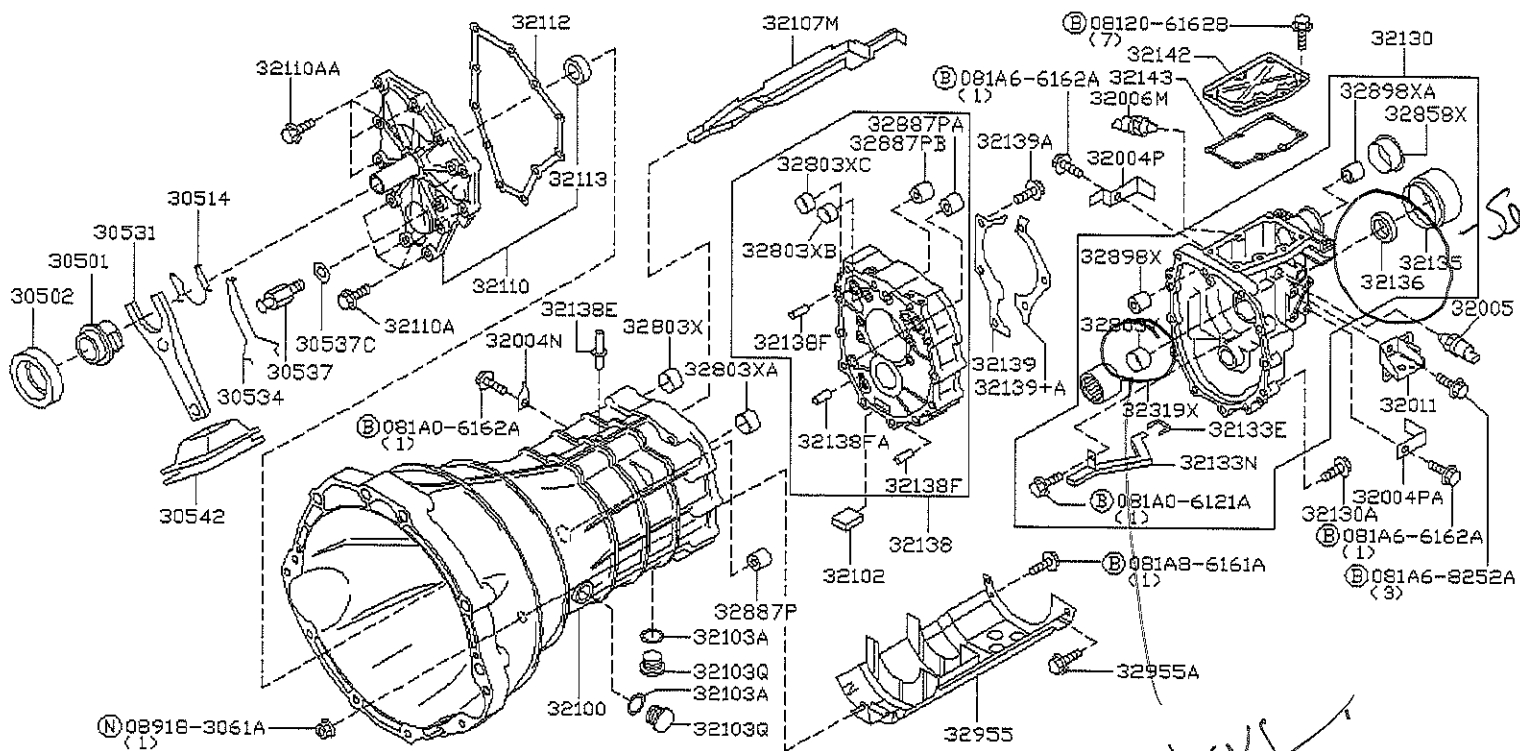


MODEL: V35 321- -D 01 TRANSMISSION CASE & CLUTCH RELEASE



*bushing*

*Seal*

J32100LP