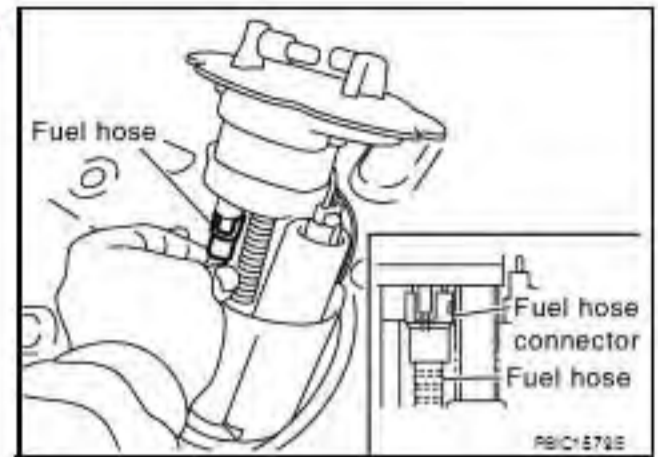


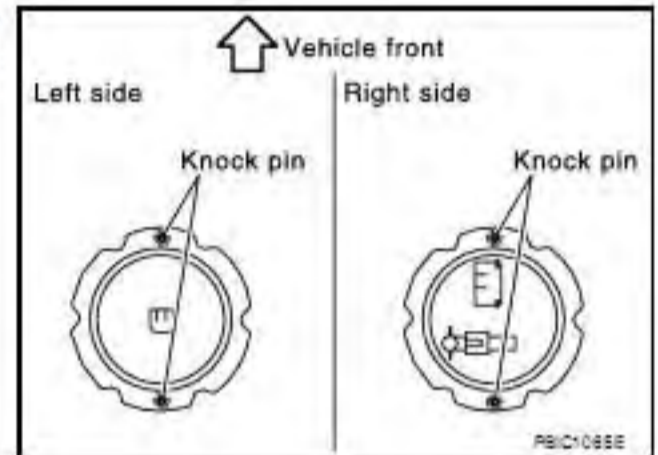
# FUEL LEVEL SENSOR UNIT, FUEL FILTER AND FUEL PUMP ASSEMBLY

## Main and Sub Fuel Level Sensor Unit

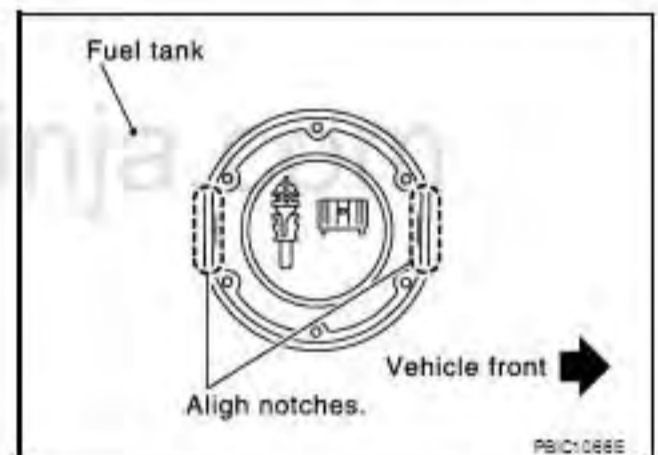
- When installing fuel hose connector insert them fully until a click sound of full stopper engagement is heard.



- Face main and sub fuel level sensor units as shown in the figure, and install them with the knock pin on back aligned with pin hole on fuel tank.



- Install retainer so that its notch becomes parallel with the notch on fuel tank.

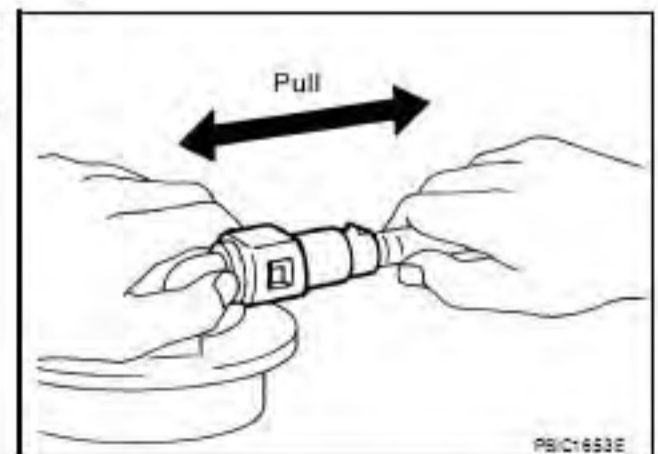


- Tighten retainer mounting bolts evenly.

## Quick Connector

Connect quick connector as follows:

1. Check the connection for damage or any foreign materials.
2. Align the connector with the tube, then insert the connector straight into the tube until a click sound is heard.
3. After connecting, make sure that the connection is secure by following method.
  - Pull the tube and the connector to make sure they are securely connected.
  - Visually confirm that the two retainer tabs are connected to the connector.



## INSPECTION AFTER INSTALLATION

Use the following procedure to check for fuel leaks.

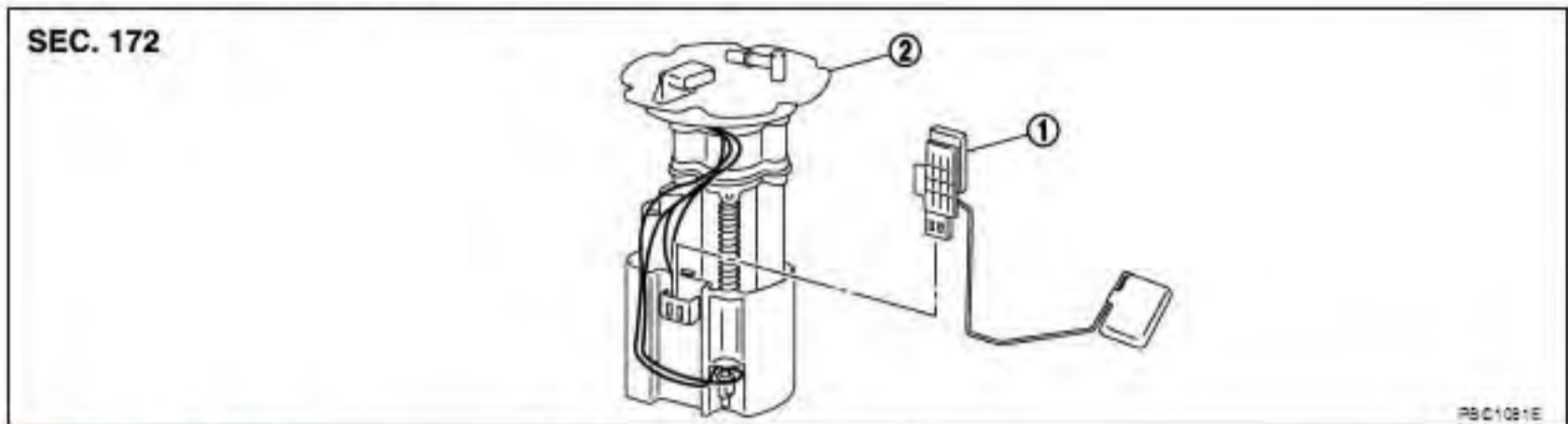
# FUEL LEVEL SENSOR UNIT, FUEL FILTER AND FUEL PUMP ASSEMBLY

1. Turn ignition switch "ON" (with engine stopped), then check connections for leaks by applying fuel pressure to fuel piping.
2. Start engine and let it idle and make sure there are no fuel leaks at the fuel system connections.

## Disassembly and Assembly

ABS00A35

FL



1. Fuel level sensor unit

2. Fuel filter and fuel pump assembly

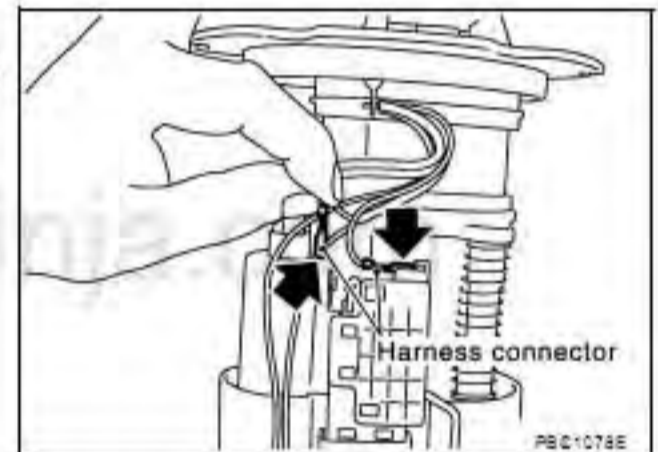
### CAUTION:

Sub fuel level sensor unit cannot be disassembled and should be replaced as a unit.

### DISASSEMBLY

Remove fuel level sensor unit as follows.

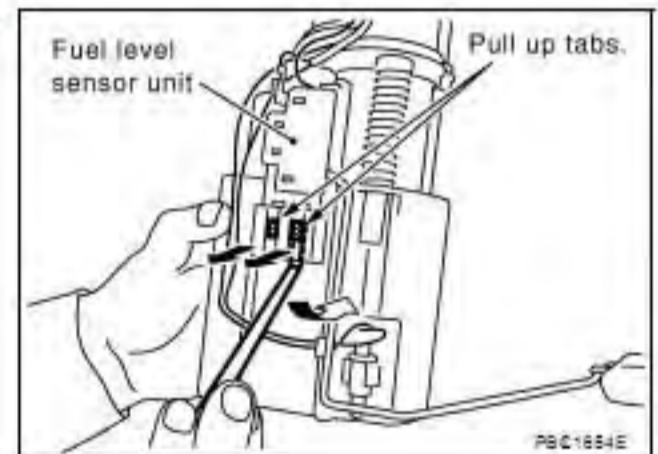
1. Disconnect harness connector.
  - Hold connector by fingers and pull it out, because there is no stopper release tab.



2. Using suitable tool, pull up tabs points as shown in the figure (two points) to release the lock.

### CAUTION:

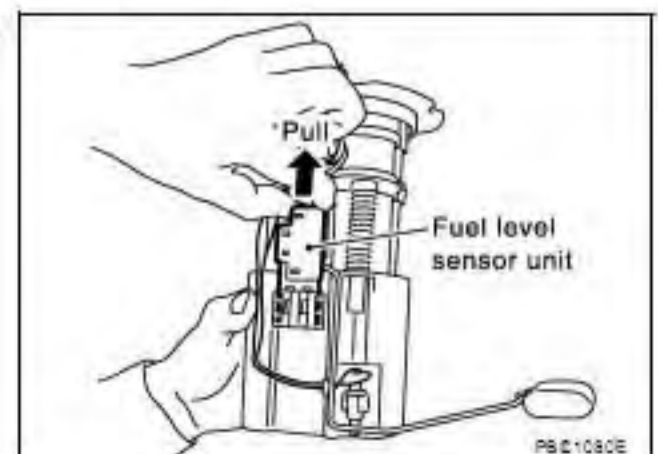
Be careful not to damage it.



3. After fixing tabs are disengaged, slide fuel level sensor unit out in direction shown by the arrow.

### CAUTION:

Do not disassemble fuel filter and fuel pump assembly.



## FUEL LEVEL SENSOR UNIT, FUEL FILTER AND FUEL PUMP ASSEMBLY

---

### ASSEMBLY

1. Check for damage of fuel level sensor unit installation position on the side of fuel filter and fuel pump assembly.
2. Slide fuel level sensor unit until it aligns to installation groove, then insert it until stop.
  - After inserting, apply force in reverse direction (removal direction) to ensure it cannot be pulled out.
3. Connect harness connector.
  - Securely insert harness connector until it stops.

[www.HeatsinkNinja.com](http://www.HeatsinkNinja.com)