

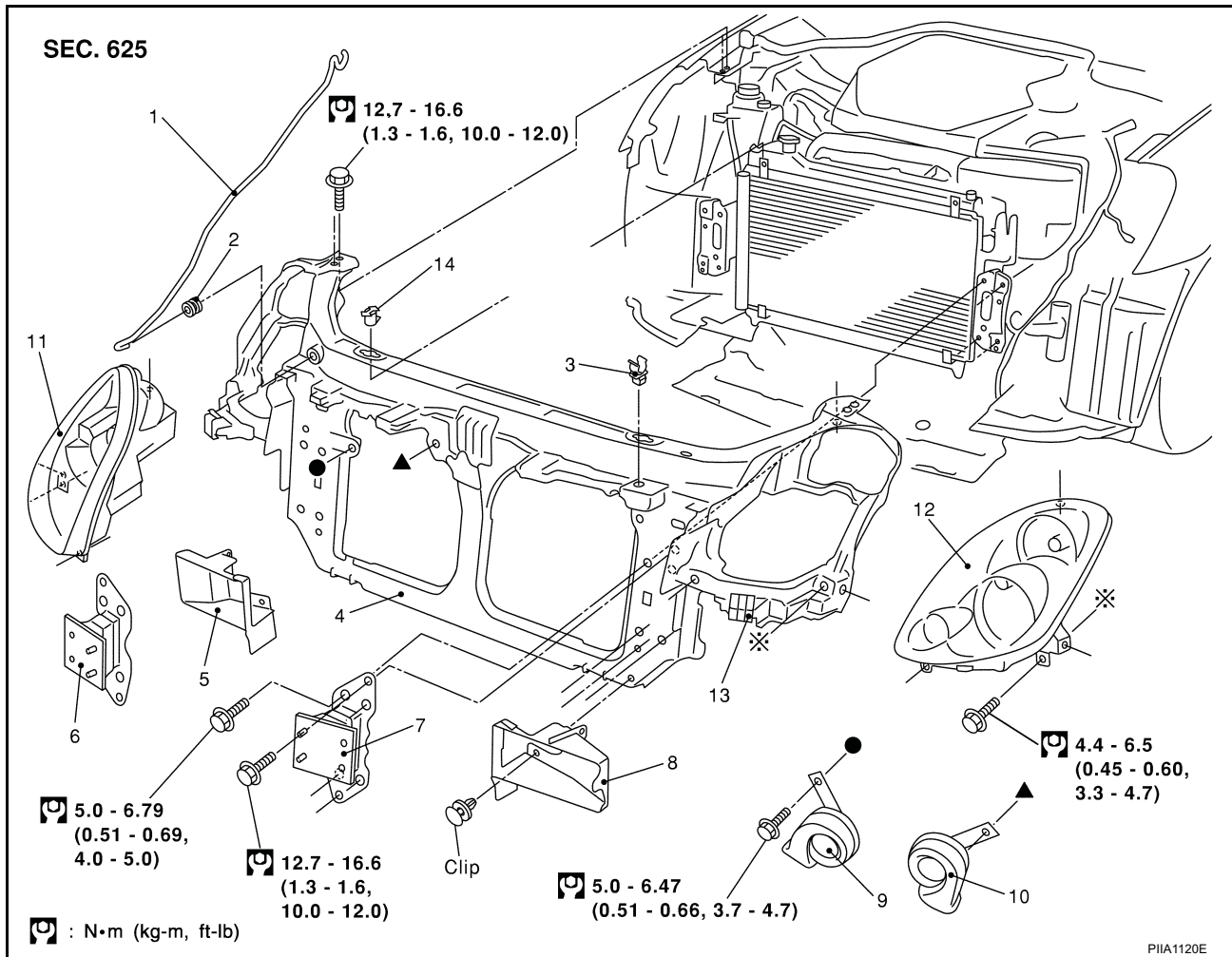
# RADIATOR CORE SUPPORT

PF6:62500

AIS0007V

## RADIATOR CORE SUPPORT

### Removal and Installation



- |                                   |                            |                        |
|-----------------------------------|----------------------------|------------------------|
| 1. Hood stay                      | 2. Grommet                 | 3. Hood rod clamp      |
| 4. Radiator core support assembly | 5. Air intake duct (RH)    | 6. Bumper bracket (RH) |
| 7. Bumper bracket (LH)            | 8. Air intake duct (LH)    | 9. Horn (Low)          |
| 10. Horn (High)                   | 11. Headlamp (RH)          | 12. Headlamp (LH)      |
| 13. Front bumper clip             | 14. Upper radiator bracket |                        |

### REMOVAL

1. Remove hood assembly. Refer to [BL-14, "Removal and Installation of Hood Assembly"](#).
2. Remove front bumper, bumper reinforcement and bumper bracket. Refer to [EI-14, "Removal and Installation"](#).
3. Remove hood lock assembly, then remove hood lock cable.
4. Remove washer tank. Refer to [WW-39, "Removal and Installation of Washer Tank"](#).
5. Remove horn connectors.
6. Remove mounting harness clip on radiator core support assembly, the harness is separate.
7. Remove resonator mounting screws. Refer to [EM-17, "AIR CLEANER AND AIR DUCT"](#).
8. Remove air intake duct (LH/RH), and remove washer tank inlet clip.
9. Remove headlamp (LH/RH). Refer to [LT-35, "Removal and Installation"](#).
10. Remove upper radiator bracket.