

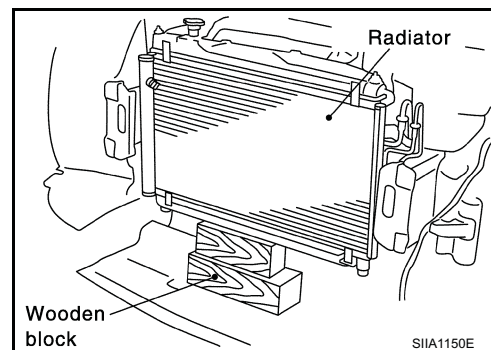
RADIATOR CORE SUPPORT

11. Remove radiator core support assembly mounting bolts. Remove bolts with power tool.

CAUTION:

Put a wooden block under the radiator assembly to prevent the radiator assembly from falling.

12. Remove radiator core support assembly.
13. After removing radiator core support assembly, the following parts are separate.
 - Remove the hood stay, grommet and hood rod clamp
 - Horn (High/Low)
 - Air intake duct (LH/RH)
 - Front bumper clip (LH/RH)



INSTALLATION

Install in the reverse order of removal.