

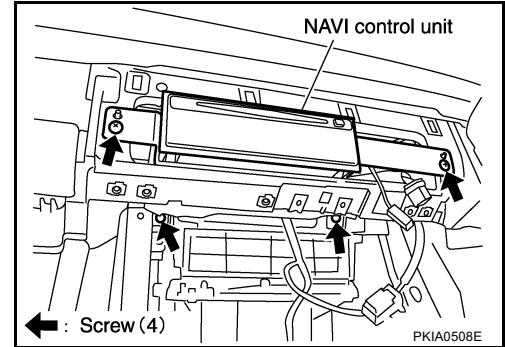
NAVIGATION SYSTEM

Removal and Installation of NAVI Control Unit

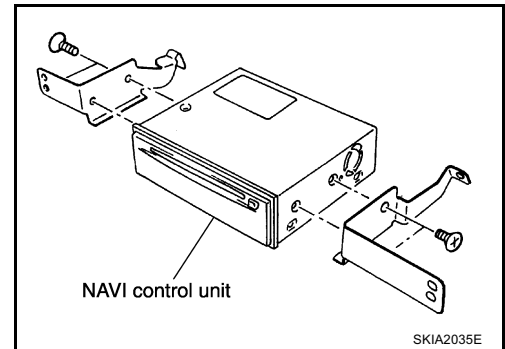
AKS0004Q

REMOVAL

1. Remove center box assy. Refer to [IP-10, "INSTRUMENT PANEL ASSEMBLY"](#)
2. Remove screws (4), and remove NAVI control unit.



3. Remove screws (4), and remove bracket.



INSTALLATION

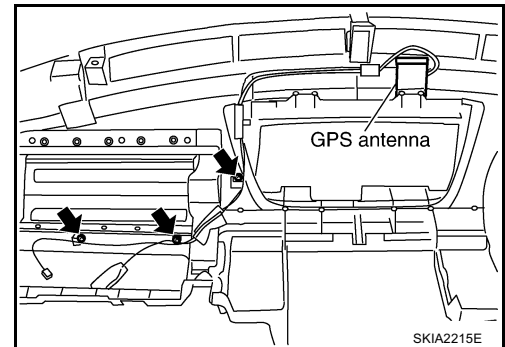
Installation is the reverse order of removal.

Removal and Installation of GPS Antenna

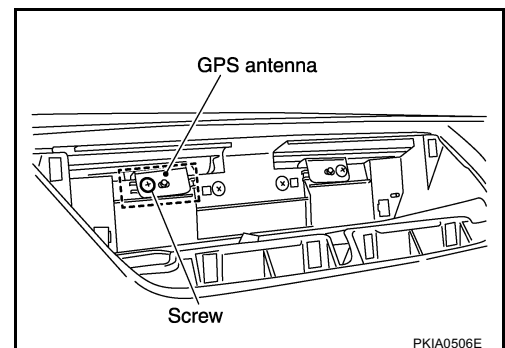
AKS002XR

REMOVAL

1. Remove instrument panel and antenna feeder installation screws on backside. Refer to [IP-10, "INSTRUMENT PANEL ASSEMBLY"](#).



2. Remove screw and remove GPS antenna.



INSTALLATION

Installation is the reverse order of removal.

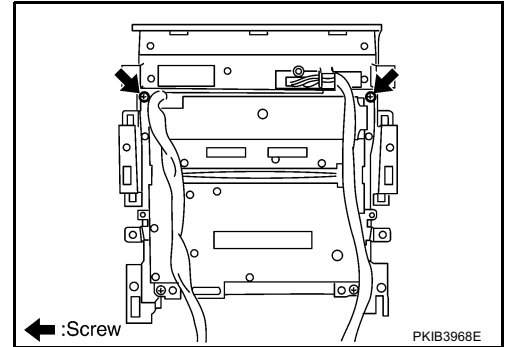
NAVIGATION SYSTEM

Removal and Installation of NAVI Switch

AKS002XS

REMOVAL

1. Remove cluster lid C. Refer to [IP-10, "INSTRUMENT PANEL ASSEMBLY"](#) .
2. Remove audio unit and display unit assembly. Refer to [IP-10, "INSTRUMENT PANEL ASSEMBLY"](#) .
3. Remove screws (2) and remove NAVI switch from cluster lid C.



INSTALLATION

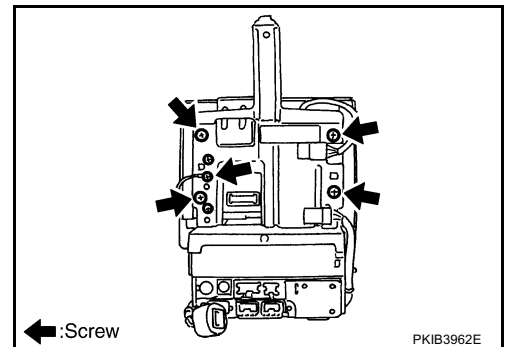
Installation is the reverse order of removal.

Removal and Installation of Display Unit

AKS0004T

REMOVAL

1. Remove cluster lid C. Refer to [IP-10, "INSTRUMENT PANEL ASSEMBLY"](#) .
2. Remove audio unit and display unit assembly from cluster lid C. Refer to [IP-10, "INSTRUMENT PANEL ASSEMBLY"](#) .
3. Remove screws (5) and remove display unit assembly from audio unit bracket.



INSTALLATION

Installation is the reverse order of removal.

A
B
C
D
E
F
G
H
I
J
L
M

AV