

AIR BREATHER HOSE

< ON-VEHICLE REPAIR >

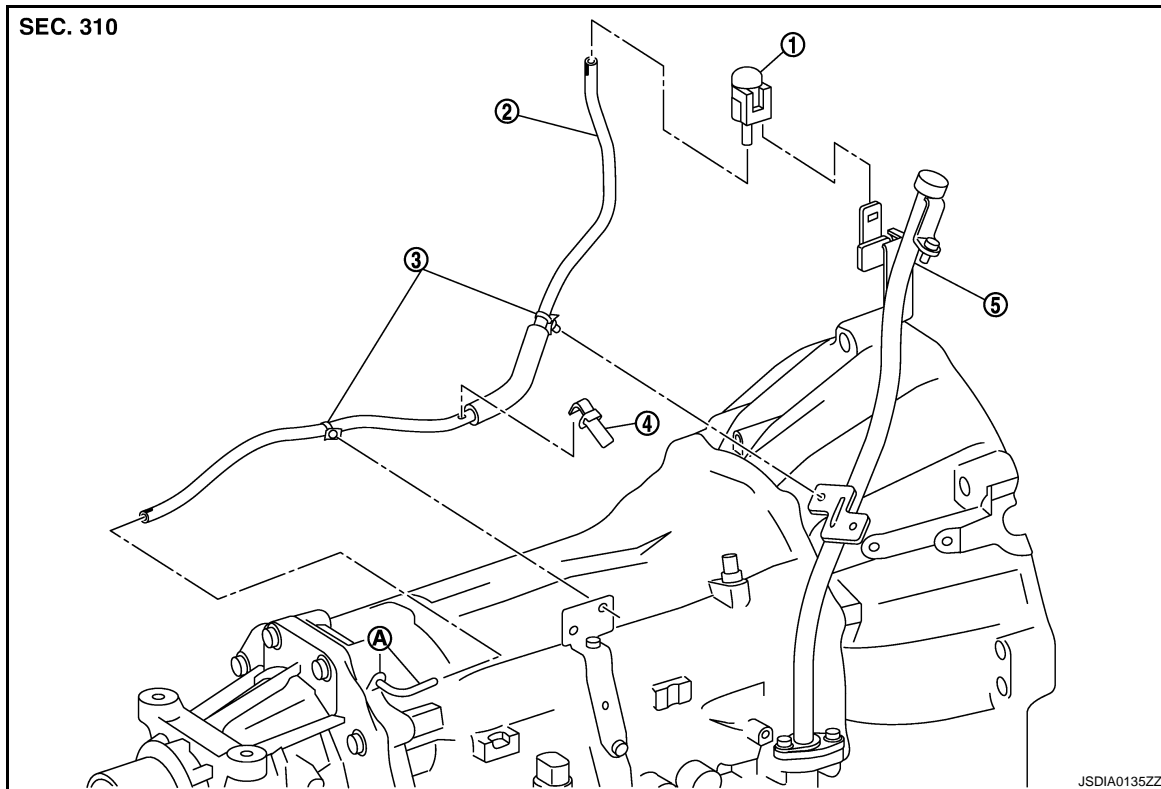
[5AT: RE5R05A]

AIR BREATHER HOSE

2WD

2WD : Exploded View

INFOID:000000000957170



- | | | |
|----------------------|----------------------------|---------|
| 1. A/T breather box | 2. Air breather hose | 3. Clip |
| 4. Clip | 5. A/T fluid charging pipe | |
| A. Air breather tube | | |

2WD : Removal and Installation

INFOID:000000000957171

REMOVAL

1. Remove air cleaner case (RH). Refer to [EM-25, "Exploded View"](#).
2. Remove exhaust front tube and center muffler with power tool. Refer to [EX-5, "Exploded View"](#).
3. Remove exhaust mounting bracket. Refer to [EX-5, "Exploded View"](#).
4. Disconnect heated oxygen sensor (bank 1) harness connector. Refer to [EX-5, "Exploded View"](#).
5. Remove three way catalyst (right bank). Refer to [EX-5, "Exploded View"](#).
6. Remove air breather hose.

INSTALLATION

Note the following, and install in the reverse order of removal.

CAUTION:

- When installing an air breather hose, do not to crush or block by folding or bending the hose.
- When inserting an air breather hose to the air breather tube, be sure to insert it fully until its end reaches the tube bend "R" portion.
- Install A/T air breather hose to air breather tube so that the paint mark is facing upward.
- Ensure clips are securely installed to brackets when installing A/T breather hose to brackets.
- When inserting air breather hose to air breather box, be sure to insert it fully until its end reaches the stop.
- Install A/T air breather hose to air breather box so that the paint mark is facing backward.