

onds while the CompactFlash card is being played, the CompactFlash card will play while fast forwarding or rewinding. When the button is released, the CompactFlash card will return to the normal play speed.

When the  $\overset{\text{TRACK}}{\downarrow}$  or  $\overset{\text{SEEK-CAT}}{\uparrow}$  button is pushed for less than 1.5 seconds while the CompactFlash card is being played, the next track or the beginning of the current track on the CF will be played.

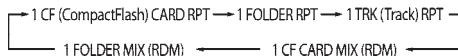
The INFINITI controller can also be used to select tracks when the CompactFlash card is being played.

### Folder selection

To change to another folder in the CompactFlash card, turn the MP3/WMA folder selector or choose a folder displayed on the screen using the INFINITI controller.

### SCAN RPT REPEAT (RPT)

When the RPT button is pushed while the CompactFlash card is played, the play pattern can be changed as follows:



### CF EJECT

When the knob next to the CF slot is pushed with the CF card inserted, the CF card will be ejected.

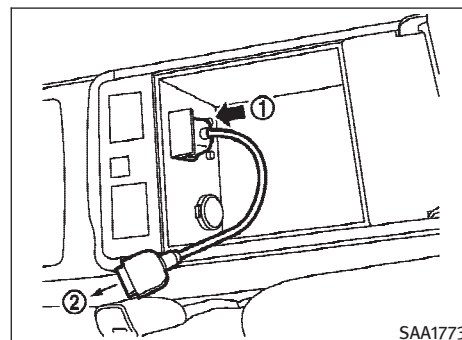
### Messages

The following messages will be displayed under certain conditions.

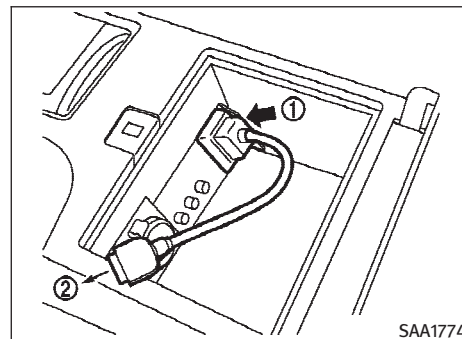
- Reading Compact Flash (The system is reading the CF card inserted in the slot.)
- No Compact Flash card (A CF card is not inserted in the slot.)
- Compact Flash read error (The system cannot read a CF card.)
- Unplayable file (The system cannot play a music file.)
- No audio file (The CF card inserted in the slot or its folder does not contain any music files.)

### Compatibility with other media

If a commercially available CompactFlash adapter is inserted into the slot, your memory media can also be used.



Type A



Type B