



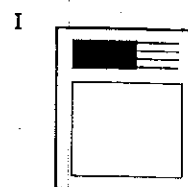
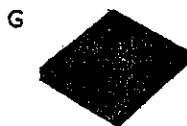
INFINITI.

GENUINE PARTS

INSTALLATION INSTRUCTIONS

1. **DESCRIPTION:** Illuminated Kick Plate
2. **APPLICATION:** G35 SEDAN
3. **PART NUMBER:** G6950 JK600
4. **KIT CONTENTS:**

Item	QTY	Description
A	1	Kick Plate FRONT LH
B	1	Kick Plate FRONT RH
C	2	Kick Plate REAR
D	1	T-Harness
E	14	Tie Wrap
F	8	Urethane foam tape
G	9	Flat wire protector
H	8	Clip
I	1	Installation Instructions



5. TOOLS REQUIRED:

- Nylon Removal Tool
- 14mm socket and driver
- Flash light
- 50/50 alcohol & water solution
- Wire cutter
- Fish tape
- Scissors
- Soft non linting towel
- 10mm Socket and driver
- Masking tape
- Soap and water

INSTALLATION INSTRUCTIONS - ILLUMINATED KICK PLATE

6. PRE-INSTALLATION CAUTIONS/NOTES

CAUTION

- Dealer Installation Recommended. Instructions refer to Service Manual.
- Please read this instruction carefully before installing this product for correct installation.
- Please DO NOT use or install the part in ways other than what is described in this instruction manual.
- If problem occurs during installation, please contact Nissan dealer where you purchased the product.

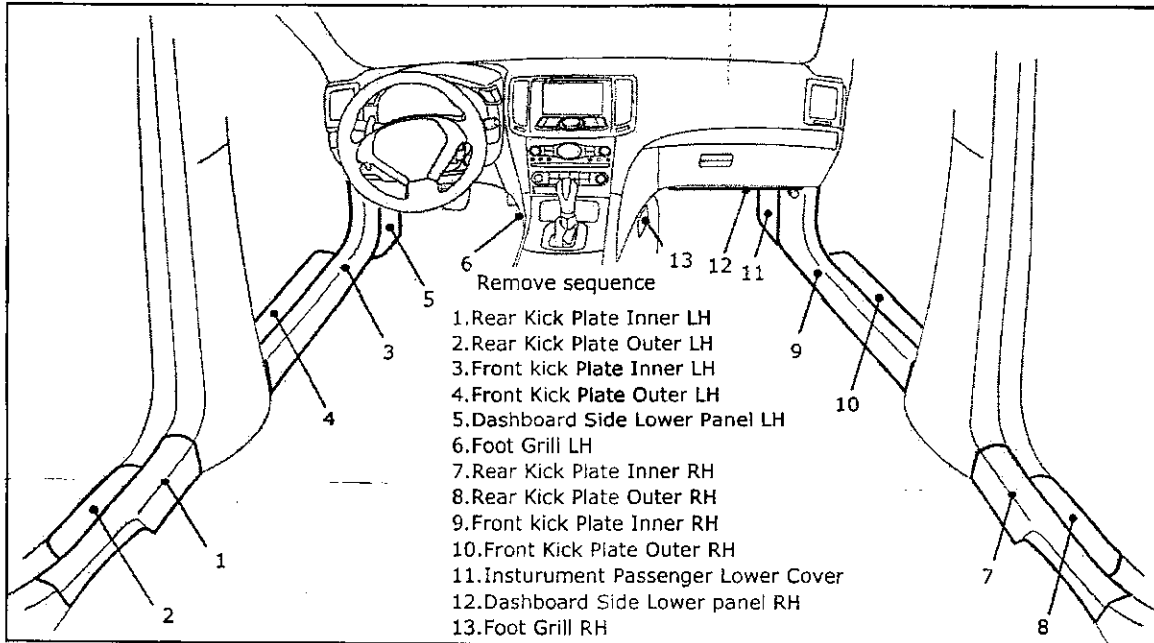
- 1) Apply Parking Brake.
- 2) Make sure the shift lever is engaged in "P" or "N" position.
- 3) Record customer Radio Presets.

Preset	1	2	3	4	5	6
A						
B						
C						

- 4) Use seat and floor protection.
- 5) Open the hood of the vehicle.
- 6) Disconnect the negative battery terminal to prevent short circuits during installation.
- 7) This part is to be installed at a surface temperature of 65-100°F.
- 8) Do not wash the vehicle for 24 hours after installing to prevent the double-sided tape from peeling.

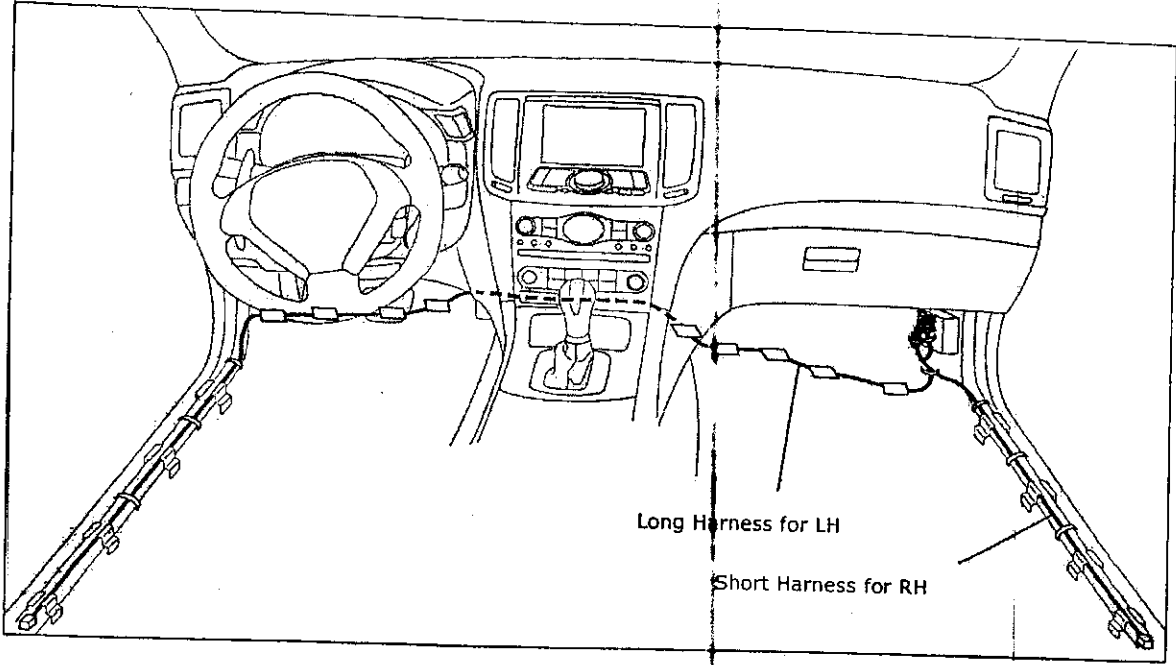
- Care must be taken not to scratch or damage any components during the removal or replacement process.

- 9) Remove the following interior trim parts in the sequence shown below.

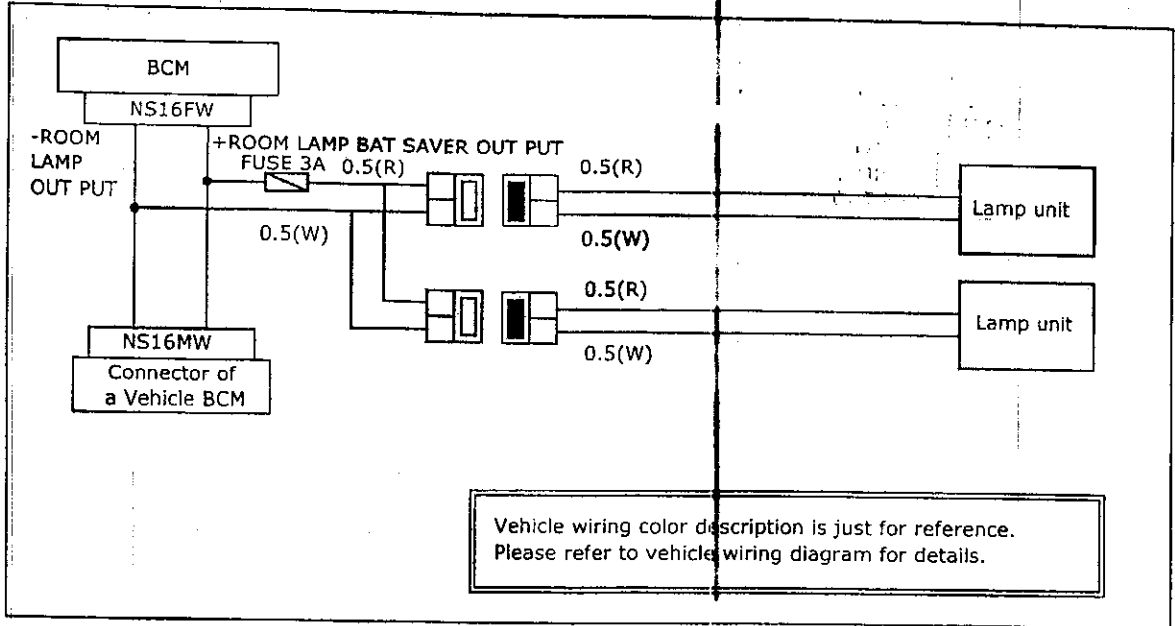


INSTALLATION INSTRUCTIONS - ILLUMINATED KICK PLATE

7. INSTALLATION OUTLINE

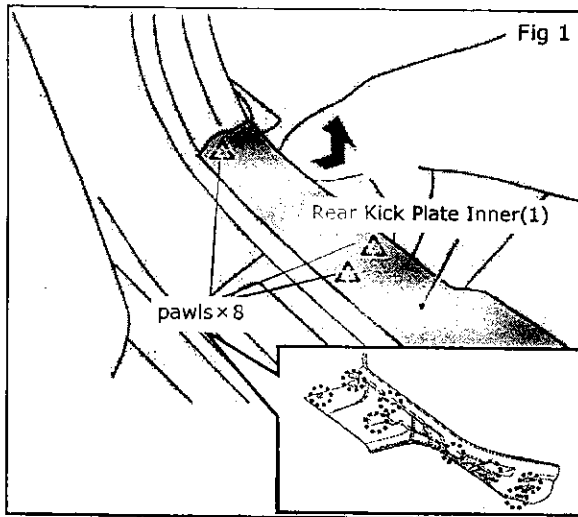


8. STANDARD CONNECTION METHOD

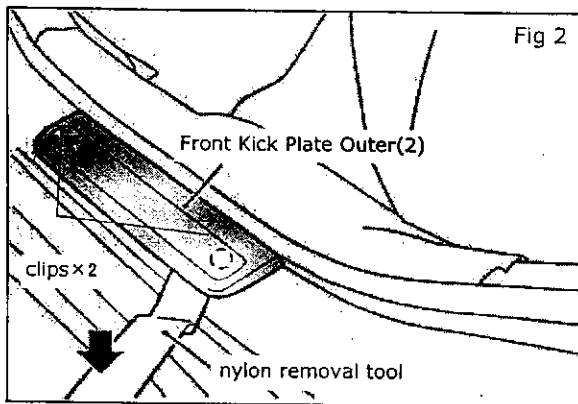


INSTALLATION INSTRUCTIONS - Illuminated Kick Plate

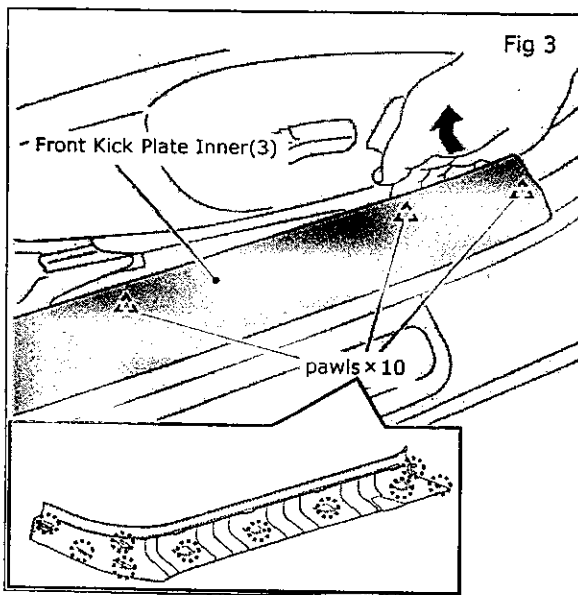
9. VEHICLE PARTS REMOVAL



- 1) Rear Kick Plate Inner LH removal
 - a) Pull up Rear kick plate inner, and disconnect pawls. Shown in Fig 1.
 - b) Remove Rear kick plate inner (1).



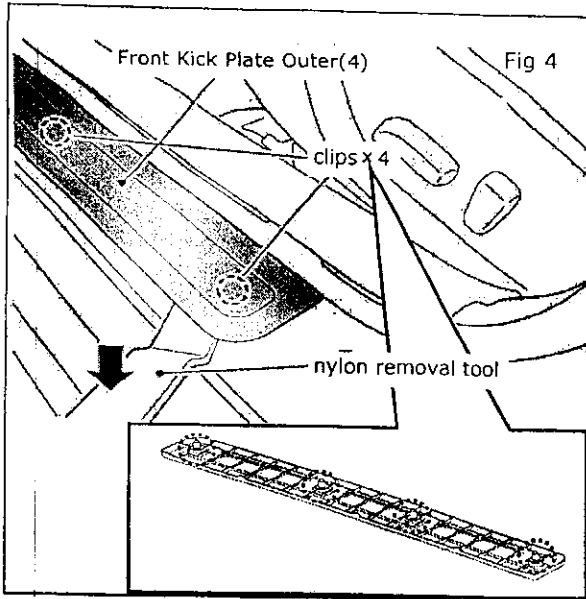
- 2) Rear Kick Plate Outer LH removal
 - a) Remove Rear kick plate outer mounting clips with nylon removal tool, then remove kick plate outer (2). Shown in Fig 2.



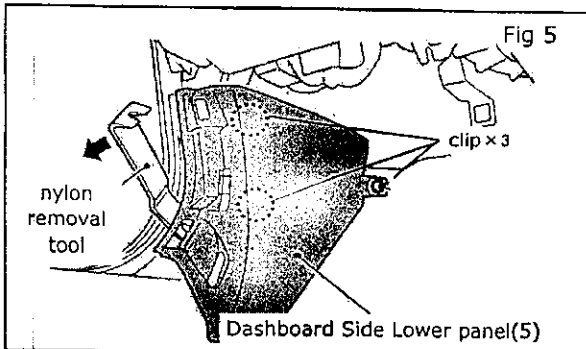
- 3) Front Kick Plate Inner LH removal
 - a) Pull up front kick plate inner, and disconnect pawls. Shown in Fig 3.
 - b) Remove front kick plate inner (3).

INSTALLATION INSTRUCTIONS - Illuminated Kick Plate

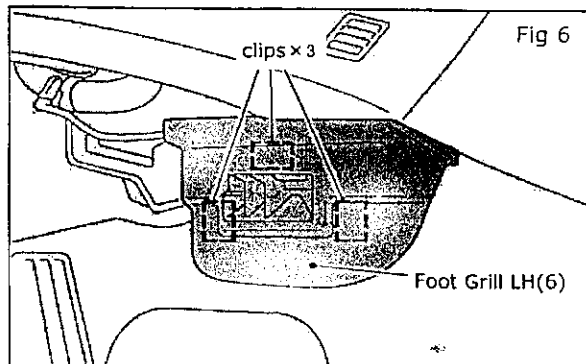
9. VEHICLE PARTS REMOVAL



- 4) **Front Kick Plate Outer LH removal**
a) Remove front kick plate outer mounting clips with nylon removal tool, then remove kick plate outer (4). Shown in Fig 4.



- 5) **Dashboard Side Lower Panel LH removal**
a) Remove clip.
b) Detach dash side finisher mounting clips with nylon removal tool, then remove Dashboard Side Lower panel (5). Shown in Fig 5.



- 6) **Foot Grill LH Removal**
a) Detach mounting clips, and then remove Foot Grill LH (6). Shown in Fig 6.

- 7) REPEAT steps 1)-4) for RH side of vehicle