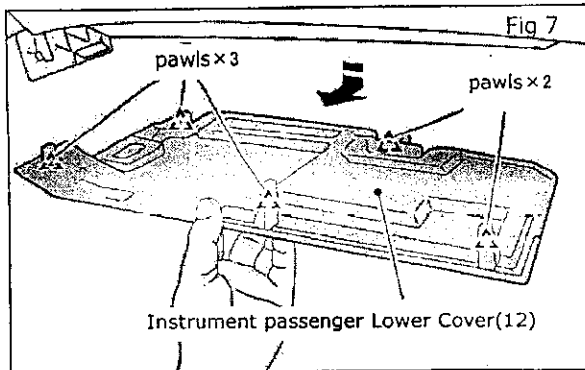
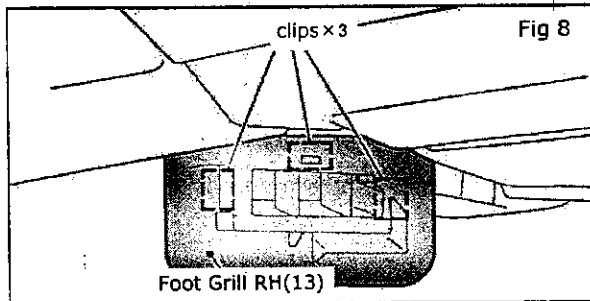


INSTALLATION INSTRUCTIONS - Illuminated Kick Plate

9. VEHICLE PARTS REMOVAL CONT'D



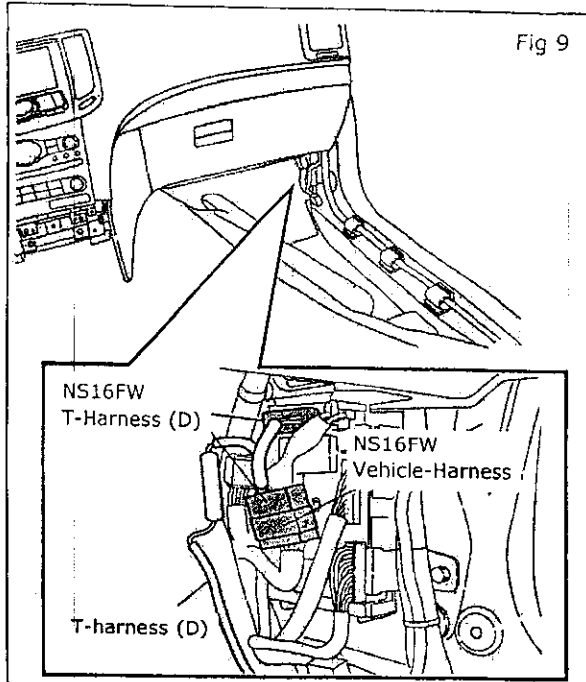
- 8) Instrument passenger Lower Cover removal
 - a) Pull downward, disengage pawls.
 - b) Pull back instrument passenger lower cover (12). Shown in Fig 7.



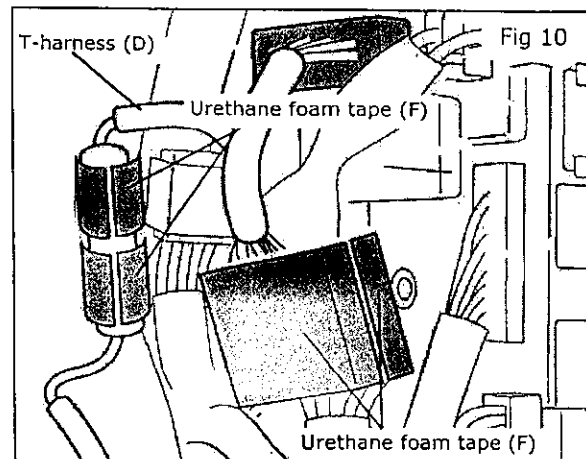
- 9) REPEAT steps 5) for RH side of vehicle
- 10) Foot Grill RH Removal
 - a) Detach mounting clips, and then remove Foot Grill RH (13). Shown in Fig 8.

INSTALLATION INSTRUCTIONS - Illuminated Kick Plate

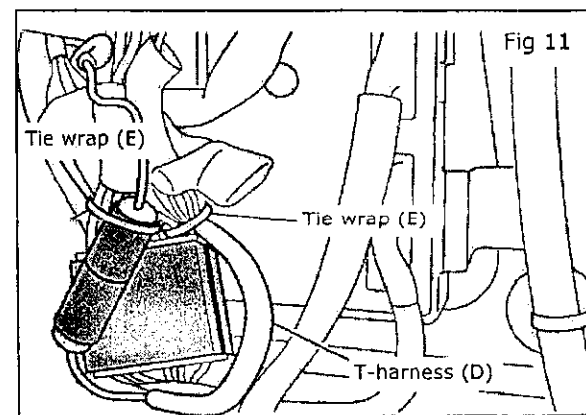
10. WIRING HARNESS INSTALLATION



- 1) Disconnect connector (NS16FW) from the BCM.
- 2) Connect (NS16FW) from T-harness (D) to the BCM shown in Fig 9.
- 3) Connect the connector(NS16FW) which was disconnected from the BCM to the T-harness (D) shown in Fig 9.



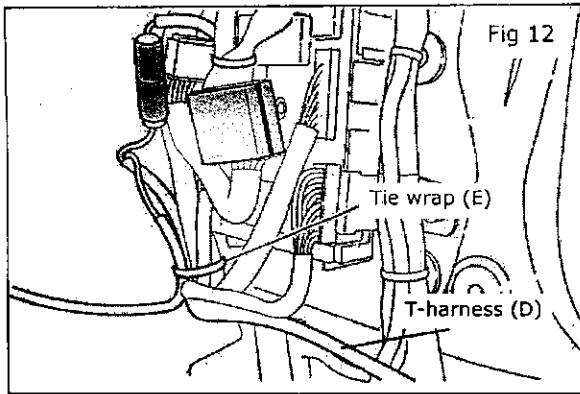
- 4) Wrap the connected connector with two pieces of Urethane foam tape (F). Shown Fig 10.
- 5) Wrap the fuse of T-harness (D) with two pieces of Urethane foam tape (F). Shown Fig 10.



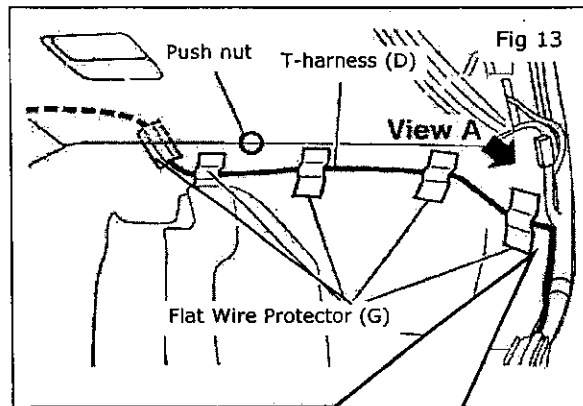
- 6) Attach the fuse of T-harness (D) at the position shown in Fig 11, using the tie wrap (E). (1place)
- 7) Attach the connected connector to the T-harness (D) at the position shown in Fig 11, using the tie wrap (E). (1place)

INSTALLATION INSTRUCTIONS - Illuminated Kick Plate

10. WIRING HARNESS INSTALLATION CONT'D



- 8) Attach the T-harness (D) at the position shown in Fig 12, using the tie wrap (E). (1piece)



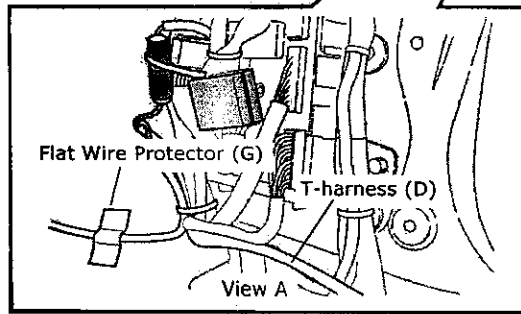
- 9) Remove one push nut from front passenger side carpet. Shown in Fig 13.

- 10) Flip the carpet of passenger side.

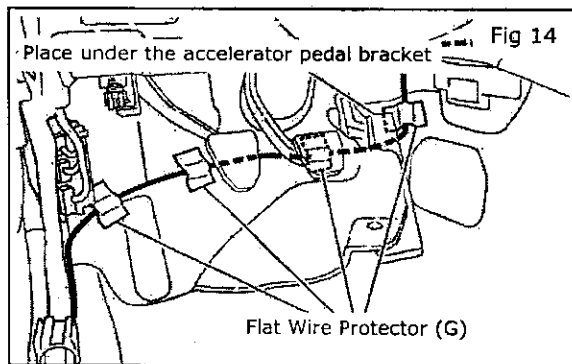
- 11) Route fish tape behind center console from driver's side harness to passenger side.

- 12) Pull harness with fish tape behind center console.

- 13) Put a flat wire protector (G) near a tie wrap (E) of view A without pulling harness. (1place)



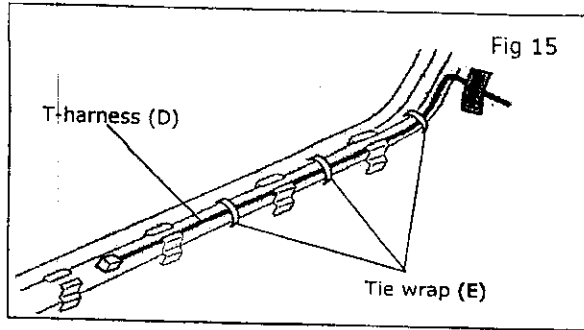
- 14) Attach passenger side harness using the flat wire wire protector (G) shown in Fig 13. (4places)



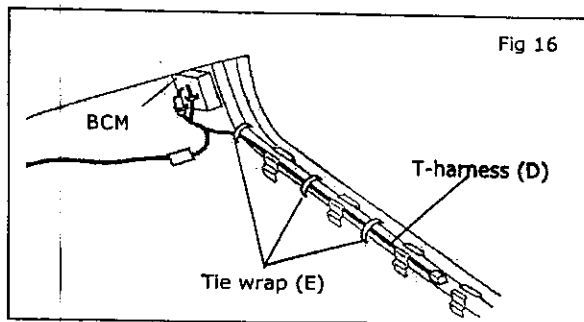
- 15) Flip the carpet of the driver's side, route harness under accelerator pedal bracket, and attach harness to floor using flat wire protector (G) shown in Fig 14. (4places)

INSTALLATION INSTRUCTIONS - Illuminated Kick Plate

10. WIRING HARNESS INSTALLATION CONT'D



- 16) Route harness through existing vehicle harness protector and Tie Wrap (E) the harness at the position shown in Fig 15. (3 places)



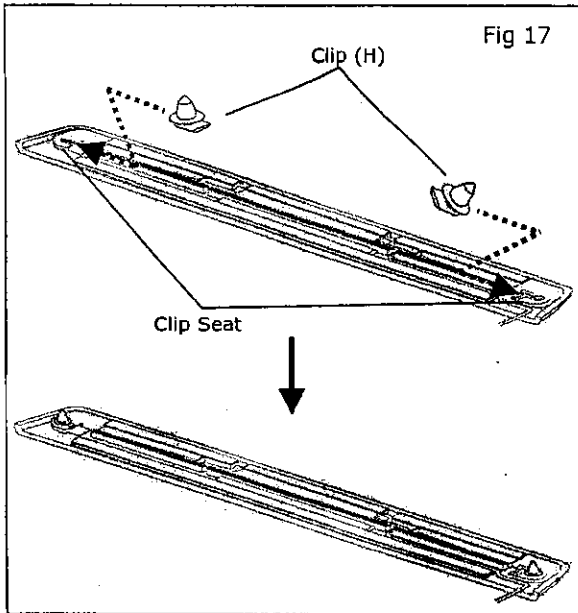
- 17) Route harness through existing vehicle harness protector and fix the harness at the position shown in Fig 16, using the tie wrap (E). (3places)

- 18) Function check
- Connect T-harness to kick plate lamp unit harness.
 - Connect battery.
 - Check function. Confirm "INFINITI" text illuminates when either door is open.
 - If OK, disconnect T-harness from kick plate harness.
 - If NG, check harness routine, connections and lamp unit to identify root cause and fix it. Repeat steps a) to c) until it is OK.
 - Disconnect battery.

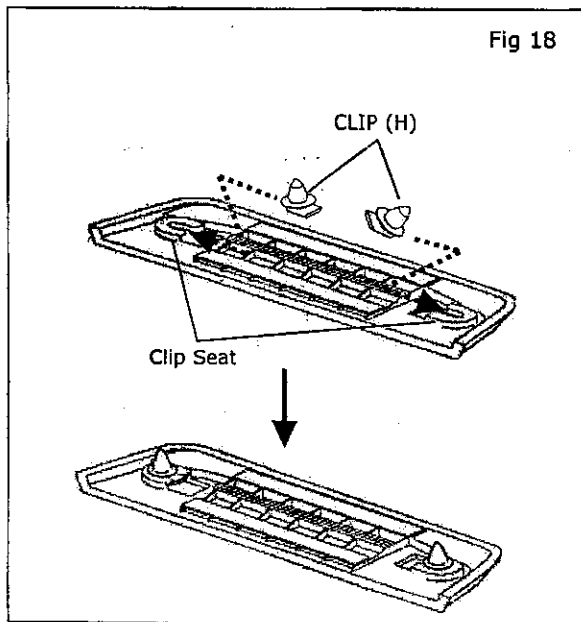
INSTALLATION INSTRUCTIONS - Illuminated Kick Plate

11. CLIP TO A KICK PLATE INSTALLATION

The procedure below shows the installation for LH side.
Repeat procedure for RH side.



- 1) Clip (H) slide to the back side Clip Seat of the kick plate(A) shown in Fig 17.



- 2) CLIP(H) slide to the back side clip seat of the kick plate(C) shown in Fig 18.