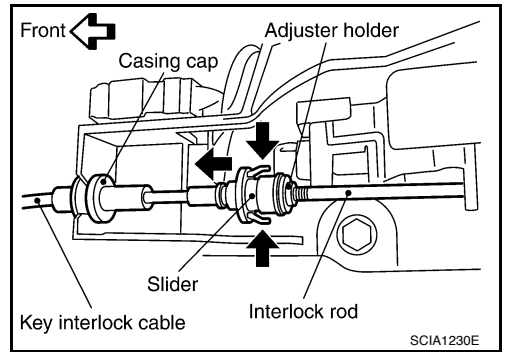


KEY INTERLOCK CABLE

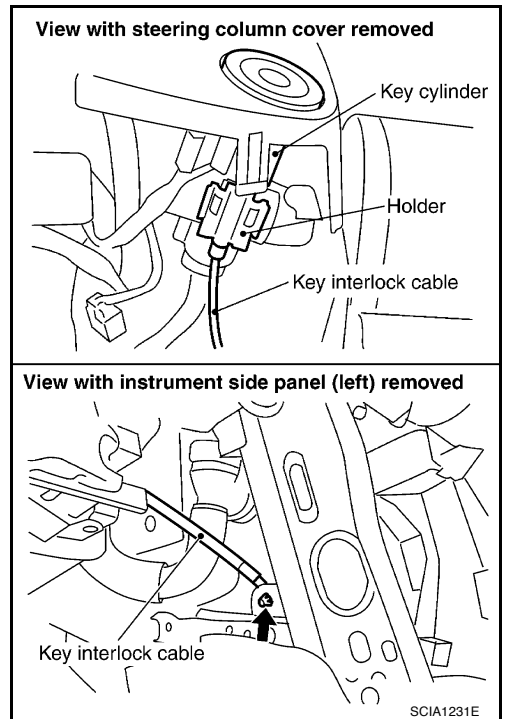
Removal and Installation

REMOVAL

1. Unlock slider by squeezing lock tabs on slider from adjuster holder.
2. Remove casing cap from bracket of control device assembly and remove interlock rod from interlock cable.



3. Remove holder from key cylinder and remove key interlock cable.



A
B
AT
D
E
F
G
H
I
J
K
L
M