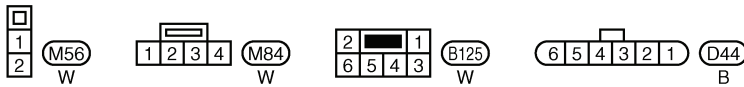
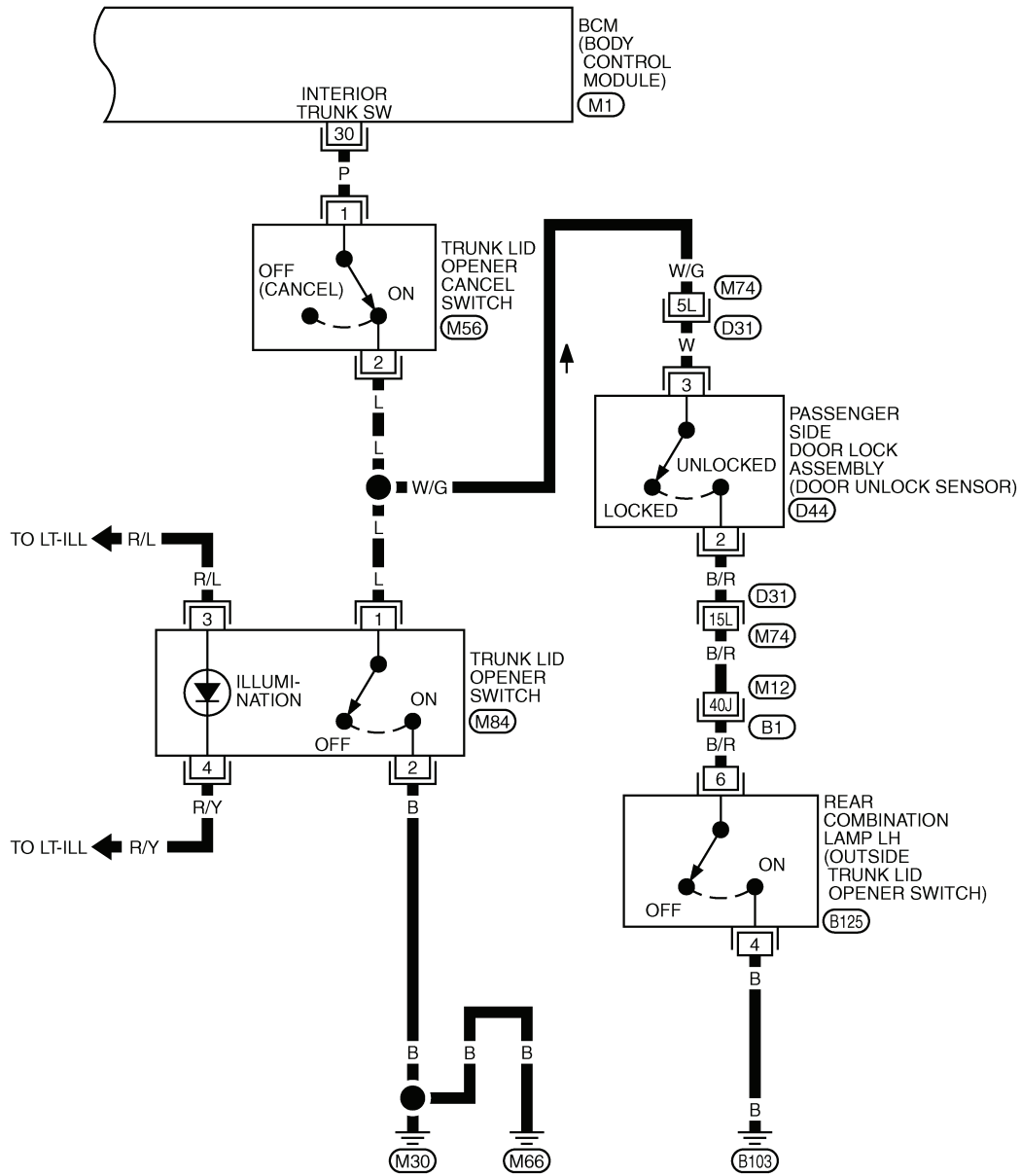


TRUNK LID OPENER

BL-TLID-03



REFER TO THE FOLLOWING.
 (B1), (D31) -SUPER MULTIPLE JUNCTION (SMJ)
 (M1) -ELECTRICAL UNITS

TIWM1483E