



INFINITI

INSTALLATION INSTRUCTIONS

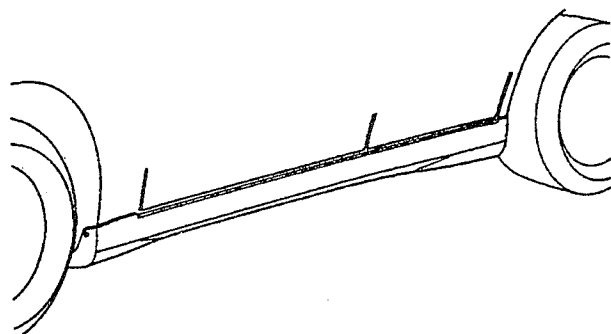
[1] Description: SIDE SILL PROTECTOR

[2] Application: G35 (2002~)

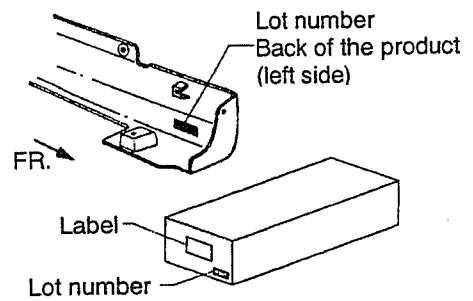
[3] Part number

Parts Number	Color Code	Parts Number	Color Code
G6850-AM562	#BW5	G6850-AM570	#KY0
G6850-AM565	#KH3	G6850-AM572	#AY2
G6850-AM567	#KX6	G6850-AM574	#D10
G6850-AM568	#QX1	G6850-AM516	#B16

[4] Illustration of the completed Installation

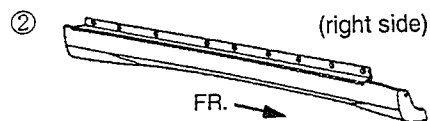
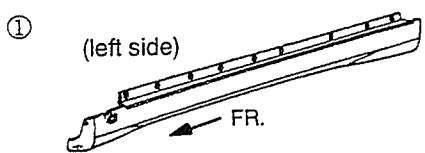


Manufacturing lot number display

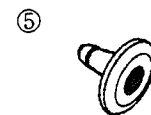


[5] Kit contents (Ensure that all parts are included before beginning the installation.)

No.	Name of Parts	Quantity	No.	Name of Parts	Quantity
①	Side Sill Protector (left)	1	④	Clip (B)	18
②	Side Sill Protector (right)	1	⑤	Grommet	20
③	Clip (A)	2	⑥	Installation manual	1



(There are marks that indicate left, right, back and front.)



Be sure to give this installation instructions manual to customer after installation is complete.

March 2002 1