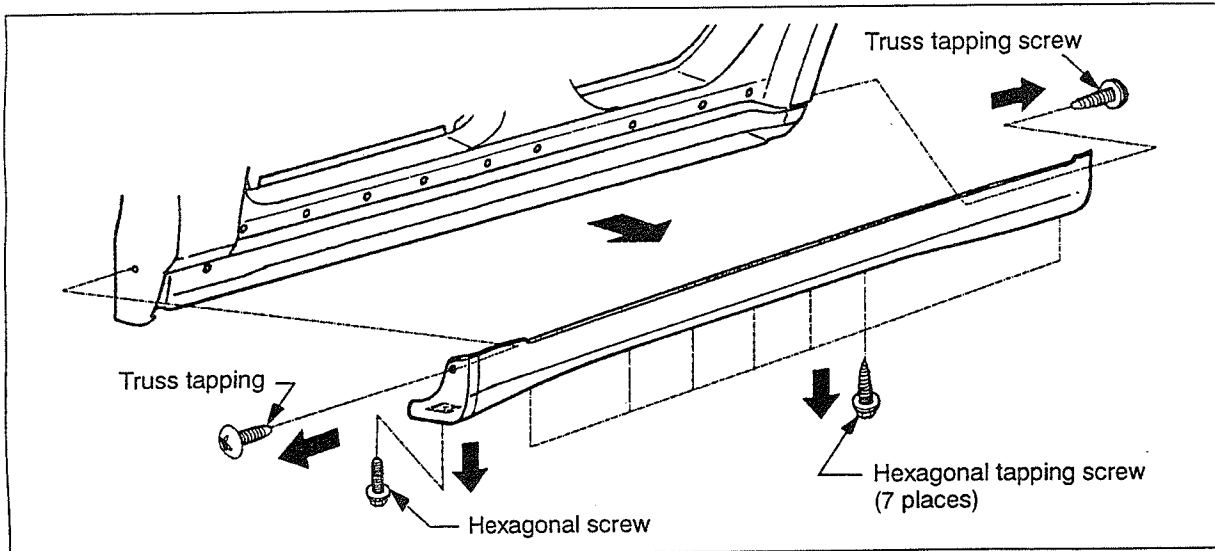


[8] Installation Preparation

* This installation instruction manual shows how to install the left side sill protector. Please use same procedure to install the right side.

1. Detaching the Center Mudguard (Standard model) and Rear Deflector



- (1) Take off the truss tapping screws that hold the wheel housing section of the center mudguard (front and rear, 1 each). Also take off the hexagonal screw (1 place) and hexagonal tapping screws (7 places) that hold the bottom surface.
- (2) Pull the center mudguard sideways from the rear side and take off the inner side clips. Detach the center mudguard.
- (3) Take off all the grommets (10 places) on the side of the vehicle and replace them with grommets ⑤ that came with this product.

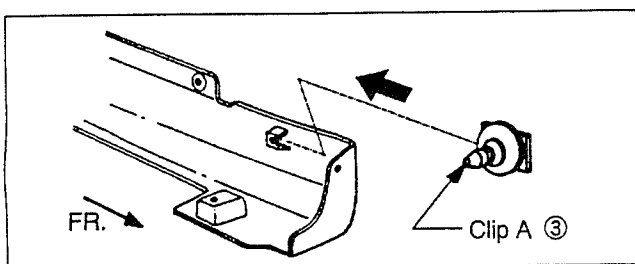
⚠ CAUTION

Be careful not to break off the grommet into pieces and let the broken pieces fall inside the side sill rocker panel.

⚠ CAUTION

1. The detached parts (screws, etc.) will be used again. Do not lose them.
2. When detaching the center mudguard, take sufficient care to avoid injury.

2. Attaching the Clip A ③



- (1) Attach the clip A ③ on the attaching hole on the back of the side sill protector ①