

**Classification:**
**Reference:**
**Date:**

EC06-004

ITB06-012

May 24, 2006

## TICKING NOISE FROM ENGINE AREA

**APPLIED VEHICLE(S):** 2003-2006 G35 (V35 and CV35),  
 2002-2006 Q45 (F50),  
 2003-2006 FX35/45 (S50),  
 2003-2004 M45 (Y34),  
 2006 M35/45 (Y50)

### IF YOU CONFIRM

There is a ticking, clicking, thumping, or knocking noise heard in the passenger compartment at idle. The noise could be from the engine compartment.

### ACTION

- With the engine idling, feel the fuel damper hose while the noise is occurring.

The fuel damper hose is located on the Bank 1 side of the engine.

All V6 vehicles	Passenger side
All V8 vehicles	Driver side of engine

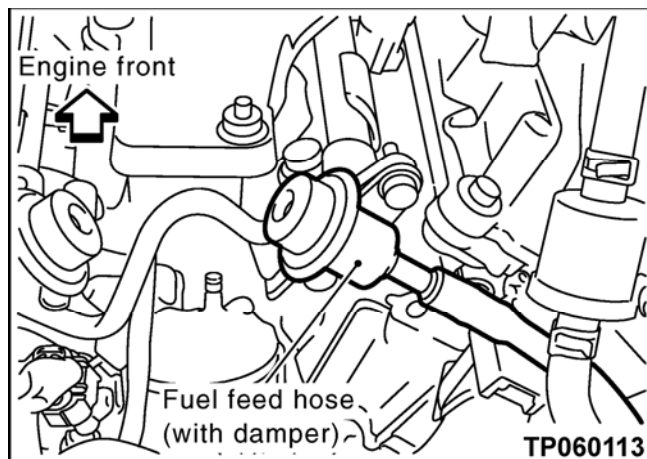


Figure 1

- If the vibration of the fuel damper hose coincides with the noise heard inside the vehicle, replace the fuel damper and attached hose on that cylinder bank (Bank 1).
- See the respective ESM and Engine Mechanical (EM) section for replacement of the damper with hose.
- Confirm the noise at idle from the passenger compartment is not present.

Infiniti Bulletins are intended for use by qualified technicians, not 'do-it-yourselfers'. Qualified technicians are properly trained individuals who have the equipment, tools, safety instruction, and know-how to do a job properly and safely. NOTE: If you believe that a described condition may apply to a particular vehicle, DO NOT assume that it does. See your Infiniti dealer to determine if this applies to your vehicle.

**PARTS INFORMATION**

<b>DESCRIPTION</b>	<b>PART #</b>	<b>QUANTITY</b>
Fuel damper (FX35, M35, G35, G35 Coupe)	22675-AM60A	1
Fuel damper (Q45, FX45) (sop-05MY)	22675-CR91A	1
Fuel damper (M45 (all MY) , FX45 (2006 MY), Q45 (2006 MY))	22675-EH00A	1

**CLAIMS INFORMATION**

Submit a Primary Failed Part (PP) line claim using the following claims coding:

DESCRIPTION	PFP	OP CODE	SYM	DIA	FRT
RPL One Fuel Damper Assy	(1)	FX22AA	ZL	32	0.7 hrs (FX35,M35,G35) 0.5 hrs (FX45, M45, Q45)

(1) Reference the Parts Information Table and use the applicable Fuel Damper P/N as the PFP.

