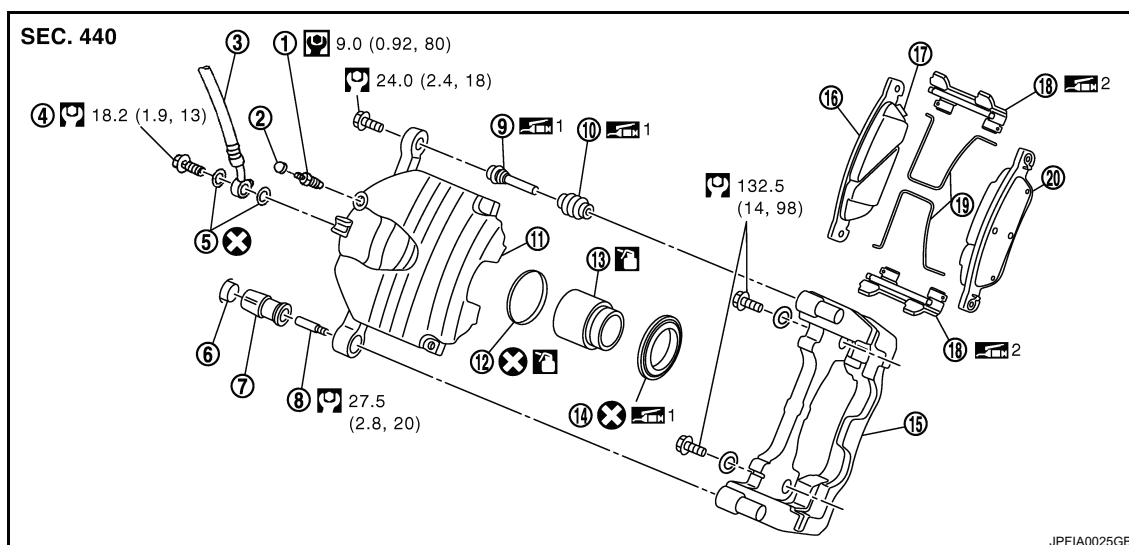


## FRONT DISC BRAKE

< ON-VEHICLE REPAIR >



- |                       |                     |                   |
|-----------------------|---------------------|-------------------|
| 1. Bleeder valve      | 2. Cap              | 3. Brake hose     |
| 4. Union bolt         | 5. Copper washer    | 6. Protector      |
| 7. Bushing            | 8. Location pin     | 9. Sliding pin    |
| 10. Sliding pin boot  | 11. Cylinder body   | 12. Piston seal   |
| 13. Piston            | 14. Piston boot     | 15. Torque member |
| 16. Inner pad         | 17. Pad wear sensor | 18. Pad retainer  |
| 19. Pad return spring | 20. Outer pad       |                   |

1: Apply rubber grease.

2: Apply bentonite noise damping brake grease.

: Apply brake fluid.

Refer to [GI-4, "Components"](#) for symbols not described on the above.

### BRAKE CALIPER ASSEMBLY (1 PISTON TYPE) : Removal and Installation

INFOID:000000000958454

#### REMOVAL

#### **WARNING:**

Clean any dust from the brake caliper and brake pads with a vacuum dust collector. Never blow with compressed air.

#### **CAUTION:**

Never depress the brake pedal. Brake fluid may splash while removing the brake hose.

1. Remove tires with power tool.
2. Fix the disc rotor using wheel nuts.
3. Drain brake fluid. Refer to [BR-11, "Draining"](#).

#### **CAUTION:**

Never spill or splash brake fluid on the disc rotor.

4. Remove union bolt, and then disconnect brake hose from caliper assembly.