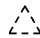
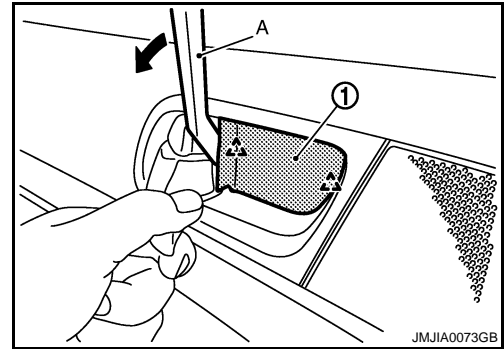


DOOR FINISHER

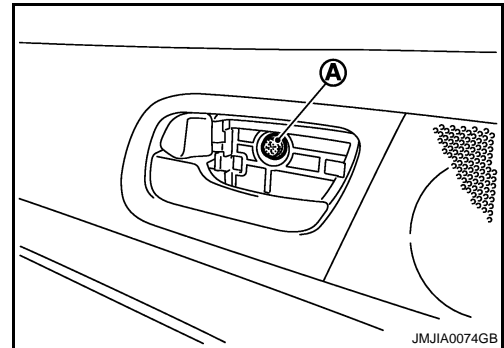
< ON-VEHICLE REPAIR >

2. Remove inside handle escutcheon (1) with remover tool (A).


 : Pawl

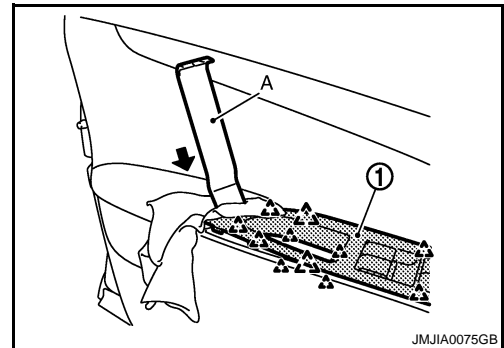


3. Remove screw (A), located on the back side of inside handle escutcheon.

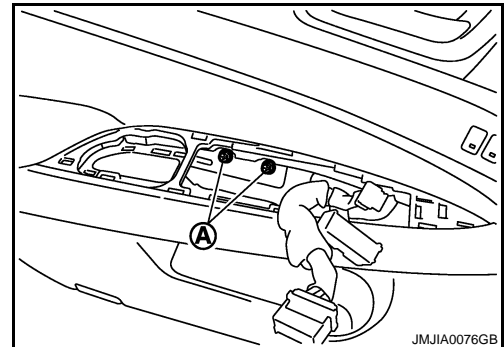


4. Pull up power window switch finisher (1) with remover tool (A).
5. Disconnect power window switch connector, and then remove power window switch finisher.

 : Pawl



6. Remove screws (A), located on the back side of power window finisher.



7. Remove step lamp (1).
Refer to [INL-101. "Removal and Installation"](#).

