


# DOOR FINISHER

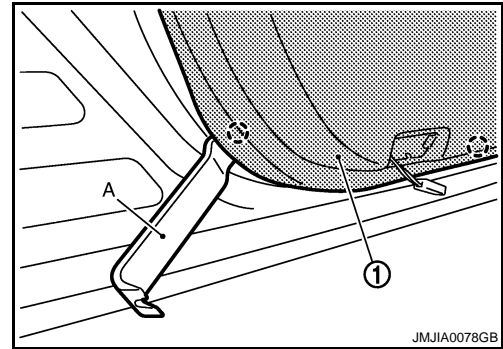
## < ON-VEHICLE REPAIR >

8. Insert a remover tool (A) into clips on door finisher (1), and disengage clips.

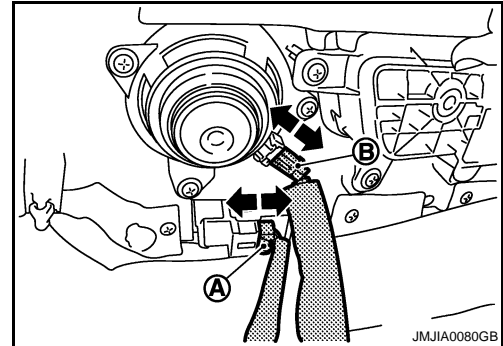
 : Clip

**CAUTION:**

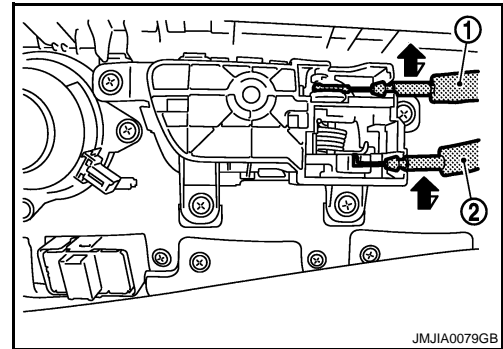
Insert a remover tool (A) into the part shown by the arrow (between the clips and the body side panel).



9. Pull up door finisher and pull out toward vehicle inside.
- Disconnect seat memory switch connector (A). (with ADP)
  - Disconnect tweeter connector (B). (with BASE AUDIO)
  - Disconnect front door squawker connector (B). (with BOSE AUDIO)



10. Disconnect lock knob cable (1) and inside handle cable (2) from door inside handle assembly.



11. Remove door finisher.
12. Remove the following parts after removing door finisher.
- Front door inside handle assembly. Refer to [DLK-241, "FRONT DOOR LOCK : Removal and Installation"](#).
  - Rear door inside handle assembly. Refer to [DLK-244, "REAR DOOR LOCK : Removal and Installation"](#).
  - Seat memory switch. (with ADP) Refer to [ADP-221, "Removal and Installation"](#).
  - Tweeter (with BASE AUDIO). Refer to [AV-605, "Removal and Installation"](#).
  - Front door squawker (with BOSE AUDIO). Refer to [AV-322, "Removal and Installation"](#).

## INSTALLATION

Install in the reverse order of removal.

**CAUTION:**

When installing door finisher, check that clips are securely fitted in panel holes on body, and then press them in.

A  
B  
C  
D  
E  
F  
G  
H  
I  
INT  
K  
L  
M  
N  
O  
P