

A/T FLUID TEMPERATURE SENSOR 2

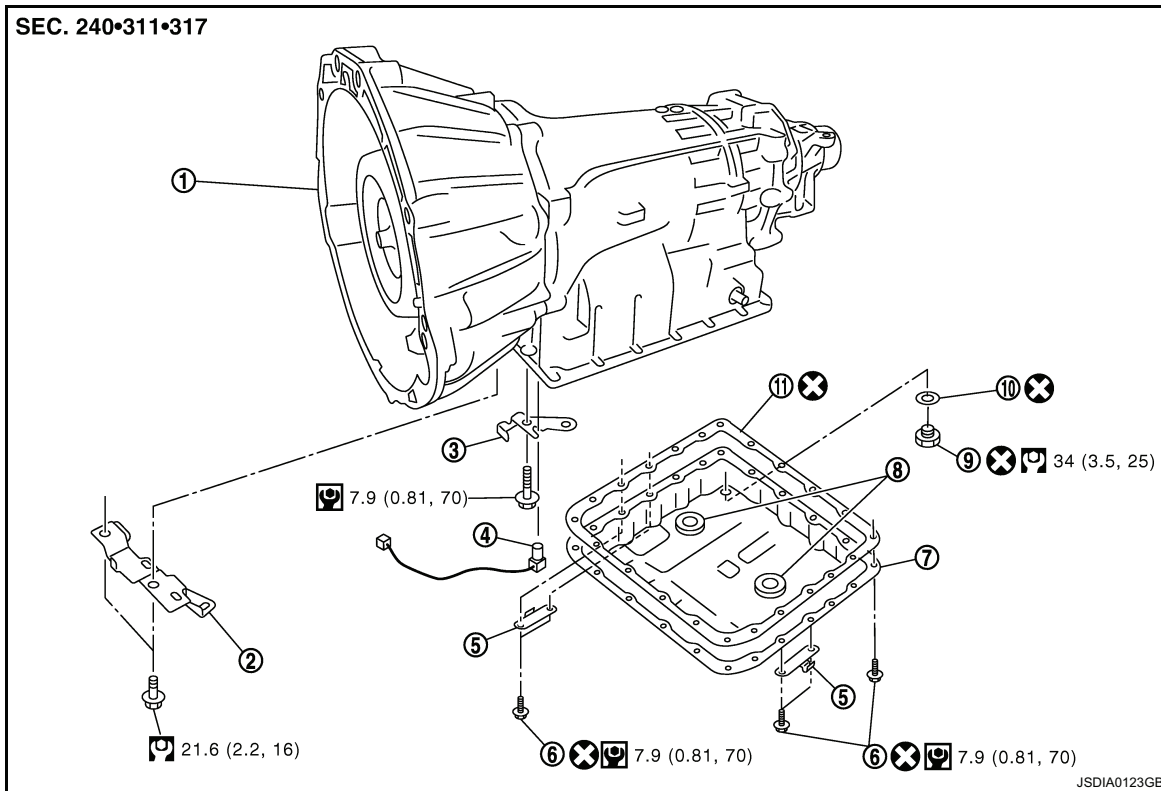
< ON-VEHICLE REPAIR >

[5AT: RE5R05A]

A/T FLUID TEMPERATURE SENSOR 2

Exploded View

INFOID:000000000957155



- | | | |
|-----------------------------------|--------------------|--------------------------|
| 1. A/T | 2. Bracket | 3. Bracket |
| 4. A/T fluid temperature sensor 2 | 5. Clip | 6. Oil pan mounting bolt |
| 7. Oil pan | 8. Magnet | 9. Drain plug |
| 10. Drain plug gasket | 11. Oil pan gasket | |

Refer to [GI-4. "Components"](#) for symbols in the figure.

Removal and Installation

INFOID:000000000957156

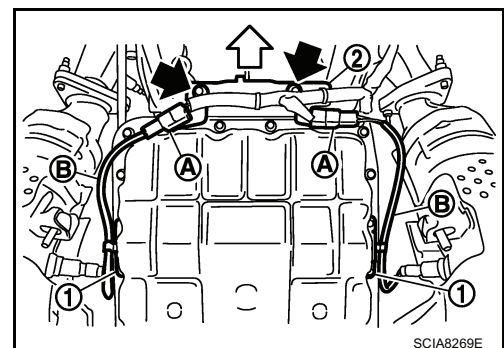
REMOVAL

1. Disconnect the battery cable from the negative terminal.
2. Drain ATF through drain plug.
3. Remove exhaust mounting bracket. Refer to [EX-5. "Exploded View"](#).
4. Disconnect heated oxygen sensor 2 harness connectors (A).

↔ : Vehicle front

← : Bolt

5. Remove heated oxygen sensor 2 harness (B) from clips (1).
6. Remove bracket (2) from transmission assembly.



SCIA8269E