

MULTI AV SYSTEM

[BOSE AUDIO WITH NAVIGATION]

< FUNCTION DIAGNOSIS >

- AV control unit is connected by CAN communication, and it receives data signal from ECM, unified meter and A/C amp. It computes and displays fuel economy information value with the obtained information. Sending/receiving of data signal is performed by BCM. Also, it sends the required signal of vehicle setting and receives the response signal.
- AV control unit is connected with display and serial communication, and it sends the required signal of display and display control and receives the response signal from front display. Also, it is connected with satellite radio by serial communication, and it sends the operating signal and receives the display signal.

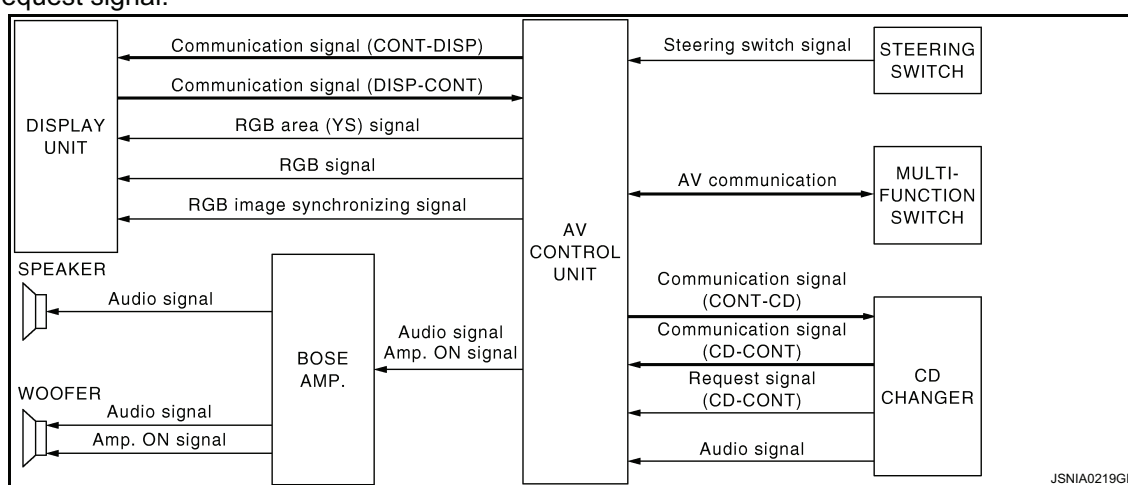
NOTE:

AV control unit can perform CONSULT-III self-operating function and on board self-diagnosis.

- CONSULT-III self diagnosis: Refer to [AV-347, "CONSULT - III Function"](#).
- On board self diagnosis: Refer to [AV-333, "Diagnosis Description"](#).

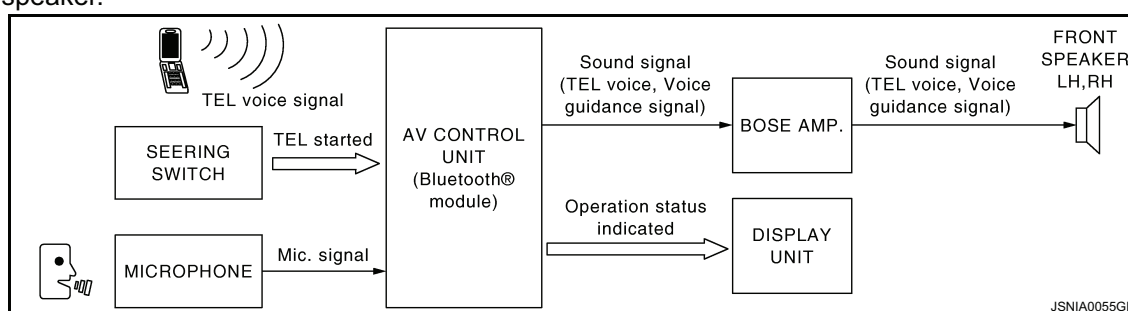
CD CHANGER SYSTEM

- CD changer output audio signal to AV control unit when CD changer mode is selected. AV control unit outputs audio signal to BOSE amp. and BOSE amp. outputs to each speaker.
- Operation such as selection of CD that is inserted in CD changer is performed by the communication signal and request signal.



HANDS-FREE PHONE SYSTEM

- Hands-free communication can be operated by connecting using Bluetooth® with cellular phone.
- Operation is performed by steering switch, and operating condition is indicated on display.
- Guide sound that is heard during operation is input from AV control unit to BOSE amp., and is output from front speaker.



When a call is originated

Spoken voice sound output from the microphone (Mic. Signal) is input to AV control unit. AV control unit outputs to cellular phone with Bluetooth communication as a TEL voice signal. Voice sound is then heard at the other party.

When receiving a call

Voice sound is input to own cellular phone from the other party. TEL voice signal is output to front speaker, and the signal is input to BOSE amp. via AV control unit by establishing Bluetooth communication from cellular phone.

AUXILIARY INPUT SYSTEM

- Image and sound can be output from an external device by connecting a device with auxiliary input jacks.