

FRONT BUMPER

< ON-VEHICLE REPAIR >

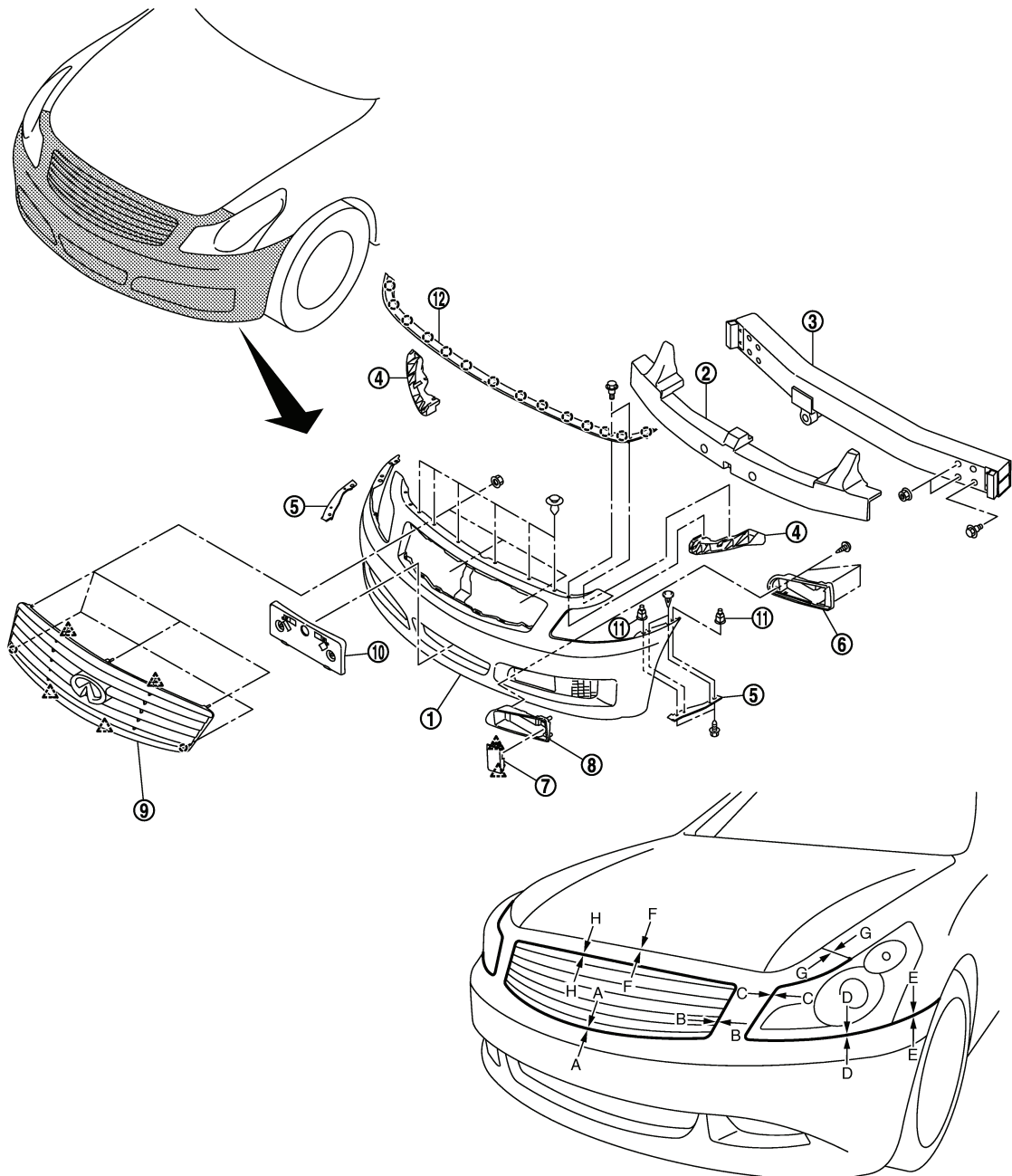
ON-VEHICLE REPAIR

FRONT BUMPER

Exploded View

INFOID:000000000961794

SEC. 620



JMKIA0074GB

- | | | |
|---------------------------|------------------------|--------------------------------|
| 1. Bumper fascia assembly | 2. Energy absorber | 3. Bumper reinforcement |
| 4. Bumper side stiffener | 5. Bumper side bracket | 6. Bumper finisher A |
| 7. Bumper finisher B | 8. Bumper finisher | 9. Front grille |
| 10. License plate bracket | 11. Grommet | 12. Hood seal assembly (front) |

FRONT BUMPER

< ON-VEHICLE REPAIR >



Removal and Installation

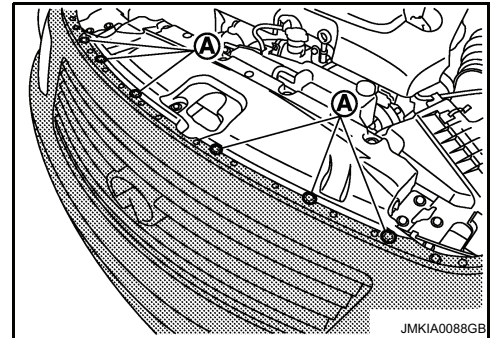
INFOID:000000000961795

REMOVAL

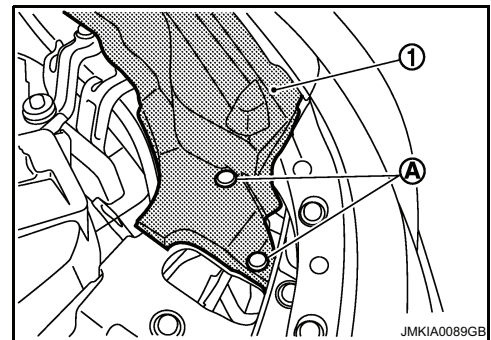
CAUTION:

Bumper fascia is made of resin. Do not apply strong force to it, and be careful to prevent contact with oil.

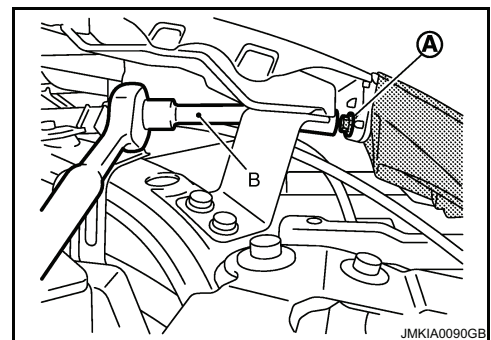
1. Fully open hood assembly.
2. Remove clips (A) of front bumper fascia upper side.



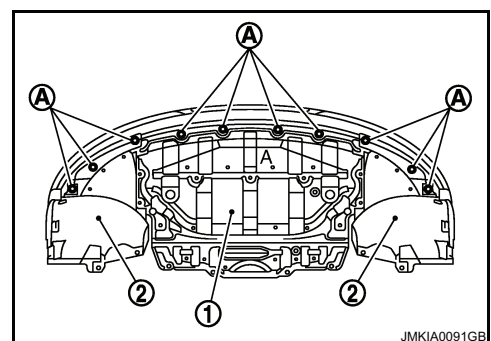
3. Remove radiator core support ornament. Refer to [DLK-196. "Removal and Installation"](#).
4. Remove clips (A) of hood seal assembly (side) LH/RH, and then remove hood seal assembly (1) located front portion. Refer to [DLK-199. "Removal and Installation"](#).



5. Remove bolts (A) of fixing bumper fascia and front fender (LH/RH), using a tool (B).



6. Remove bolts (A) of fixing engine lower cover (1) and front fender protector (2)

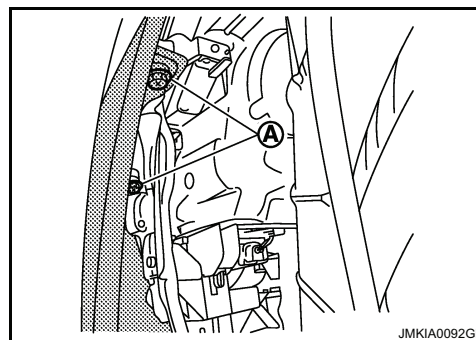


A
B
C
D
E
F
G
H
I
J
EXT
L
M
N
O
P

FRONT BUMPER

< ON-VEHICLE REPAIR >

7. Remove fender protector (front) mounting bolts and clips, and then remove screws (A) of fixing bumper fascia left and right side.



8. Remove bumper fascia assembly.

CAUTION:

When removing bumper fascia, 2 workers are required so as to prevent it from dropping.

9. Remove the following parts after removing bumper fascia.

- Front grille
- Hood seal assembly (front)
- License plate bracket
- Front bumper side bracket (LH/RH)
- Front bumper side stiffener (LH/RH)
- Front bumper finisher A
- Front bumper finisher B

10. Remove bumper energy absorber.

11. Remove bumper reinforcement mounting nuts and bolts, and then remove bumper reinforcement with power tool.

INSTALLATION

Install in the reverse order of removal.

NOTE:

After installing, perform fitting adjustment.

	Portion	Clearance
Front bumper – Front grille	A – A	0.2 – 2.8 mm (0.008 – 0.110 in)
Front bumper – Front grille	B – B	0.2 – 2.8 mm (0.008 – 0.110 in)
Front bumper – Headlamp	C – C	0.5 – 3.2 mm (0.020 – 0.126 in)
Front bumper – Headlamp	D – D	0.5 – 3.2 mm (0.020 – 0.126 in)
Front bumper – Front fender	E – E	0.0 – 0.7 mm (0.000 – 0.028 in)